


COMFORT ST300

ELECTROMECHANICAL GEAR MOTOR FOR SWING GATES
WITH LEAVES UP TO 3 m, 24 V DC



MODELS

CODE	DESCRIPTION	WEIGHT
 178 378	ST3024 Electromechanical pair of motors (L+R) for swing gates with leaves up to 3 m, 24 V DC	6.4 kg

ACCESSORIES & SPARES



ELS-C
Horizontal 12 V
electric lock

178 391



KBP
Battery back-up kit
1.3 Ah

178 392



KITFIXBATT
Fixing brackets for
batteries

178 393



CBX20224H
Control unit with box for
two 24 V DC motors, built-in
receiver (compatible with
CBX20224L)

178 461



CBX20224
Control unit without box
for two 24 V DC motors,
built-in receiver

178 460

PLUS

2-wire connection for motors without encoder

Compatible with control units CBX20224L and CBX20224H with auto-learning feature up to 3 m leaf

Easy slowdown and open limit settings

Silent mechanical parts well protected from external agents

Includes adjustable brackets



sturdy telescopic stem



robust gears and mechanical parts

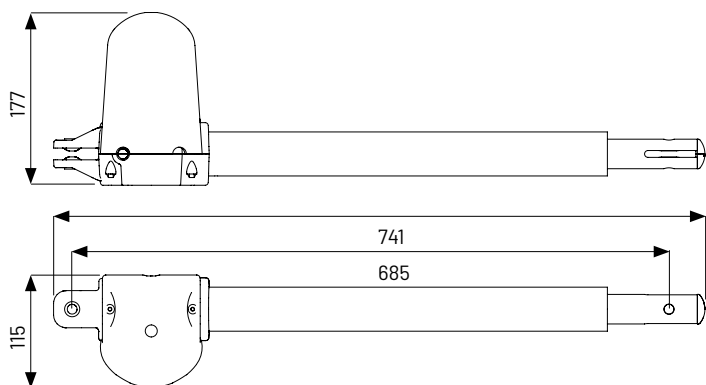


front and rear mounting brackets included

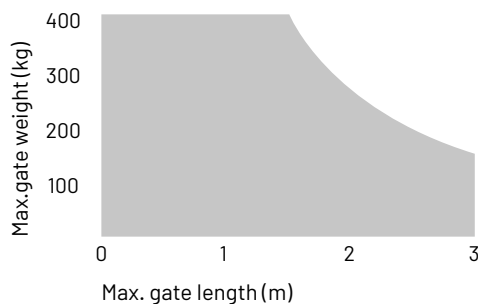


metallic release system

DIMENSIONS



LIMIT USE



Gate shape and height as well as weather conditions can considerably reduce the max. gate length as shown above in the graph.

TECHNICAL SPECIFICATIONS


		ST3024
Speed	cm/s	2.5
Thrust force	N	1400
Working cycle	%	80
Opening time at 90°	sec	adjustable
Control unit (optional)		CBX20224L
Power supply	V DC	24
Absorption	A	3.5
Engine power	W	85
Protection class	IP	54
Dimensions (L - W - H)	mm	741 - 115 - 177
Weight	kg cad	3.2
Operating temperature	°C	-20° to +55°
Leaves max. weight	kg	400

KIT COMFORT ST300

ELECTROMECHANICAL GEAR MOTOR FOR SWING GATES
WITH LEAVES UP TO 3 m, 24 V DC



MODELS

CODE	DESCRIPTION	WEIGHT
 178 370	KST3224 Kit for swing gates with leaves up to 3 m, 24 V DC, with control unit CBX20224L without Encoder, built-in receiver 868 MHz bi-linked	18.5 kg

KIT COMPONENTS



ST3024



CBX20224L



LS22



Digital 572

KST3224

• 2 pcs

•

•

• 2 pcs