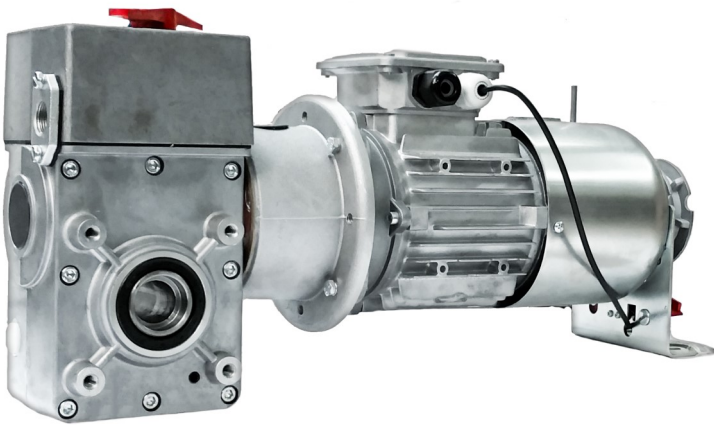


TVRF/TVRFC

Sectional Door Operators

Hollow Shaft Operators for Sectional Overhead Doors.



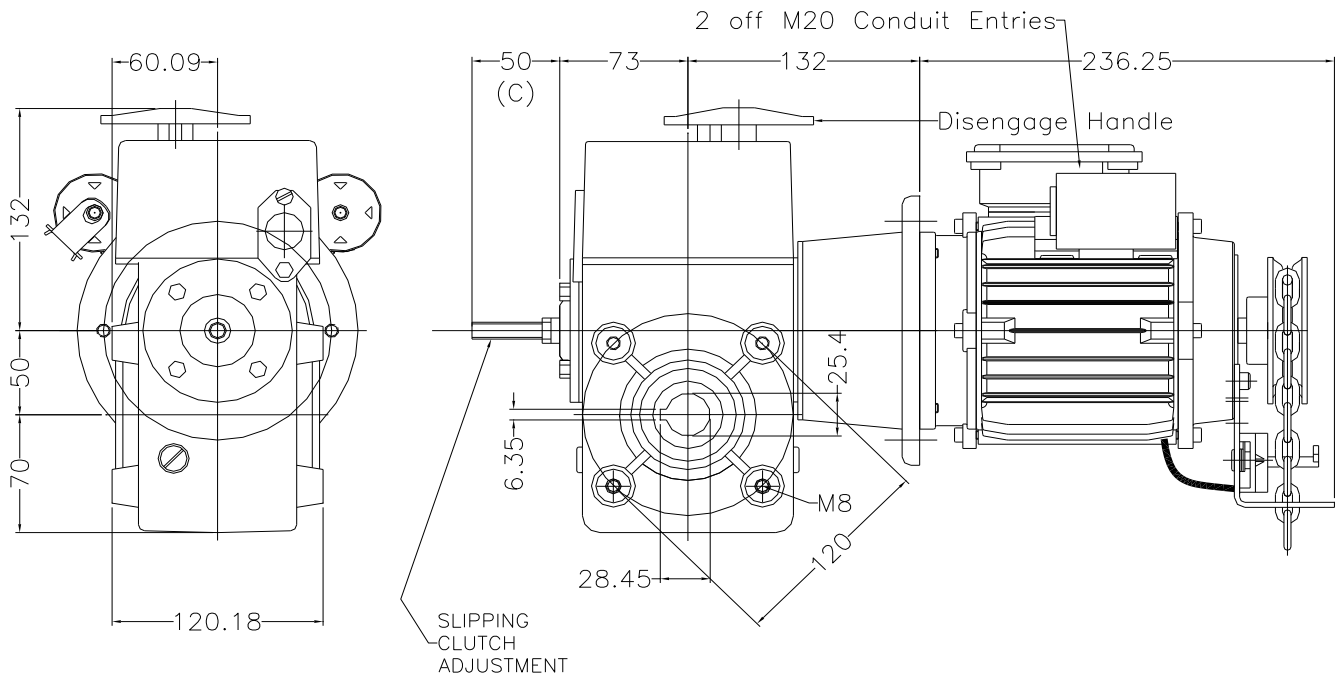
- * Integral Thermal Protection.
- * I.P. 54 Environment Protection.
- * Phosphor Bronze Worm Wheel.
- * High starting Torque-Industrial Duty Motor.
- * Industry Standard 1" Hollowbore.
- * Option of Integral slipping Clutch.
- * Choice of Manual Overrides.

The TVRF / TVRFC Sectional Door Operator is available in 0.37, 0.55 & 0.75 kW power sizes, with 230v Single Phase & 400v Three Phase motor options. These models can be fitted with a High Level Chain System, Disengage Clutch or Floor Level Chain System, which enables the sectional door to be manually opened & closed when required. An Adjustable Slipping Clutch (denoted by a 'C') can be provided for additional protection & safety.

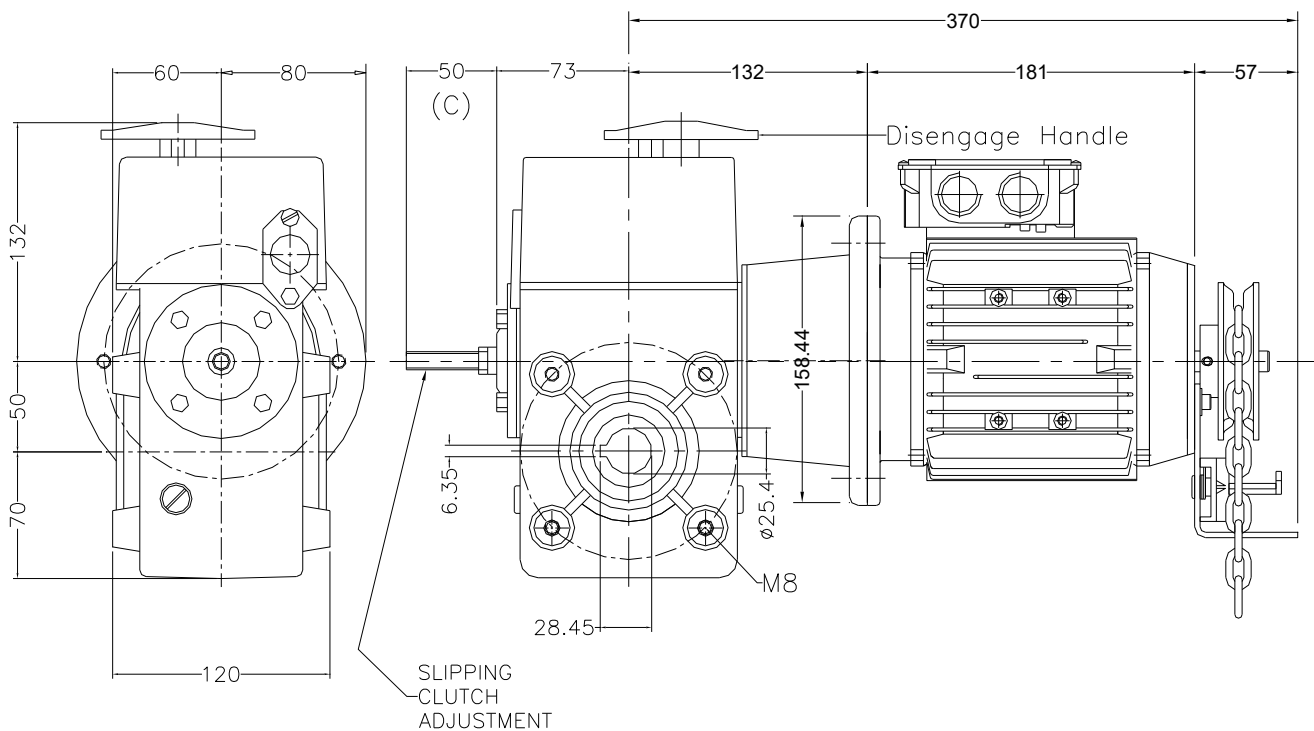
Data	Type	TVRF / TVRFC-50	TVRF / TVRFC-50/1	TVRF / TVRFC-100
Power (kW)		0.37	0.55	0.75
Torque (Nm)		49	65	130
Output Speed (R.P.M.)		31	31	29
Environmental Protection		I.P.54	I.P.54	I.P.54
Current (Amps)		2.57	2.0	3.1
Power Supply		230v/1ph/50Hz	400v/3ph/50Hz	400v/3ph/50Hz

Please Contact Our Sales Department On 01928 579050 For Further Information

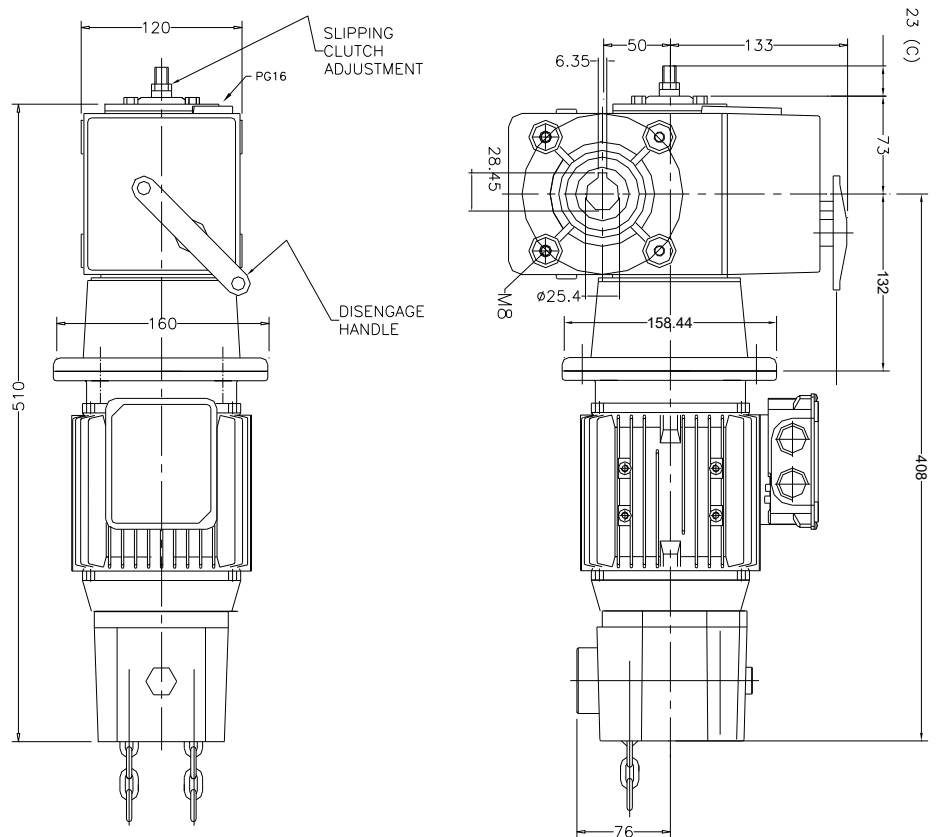
TVRF(C)-50c/w High Level Hand Chain (Optional Slipping Clutch)



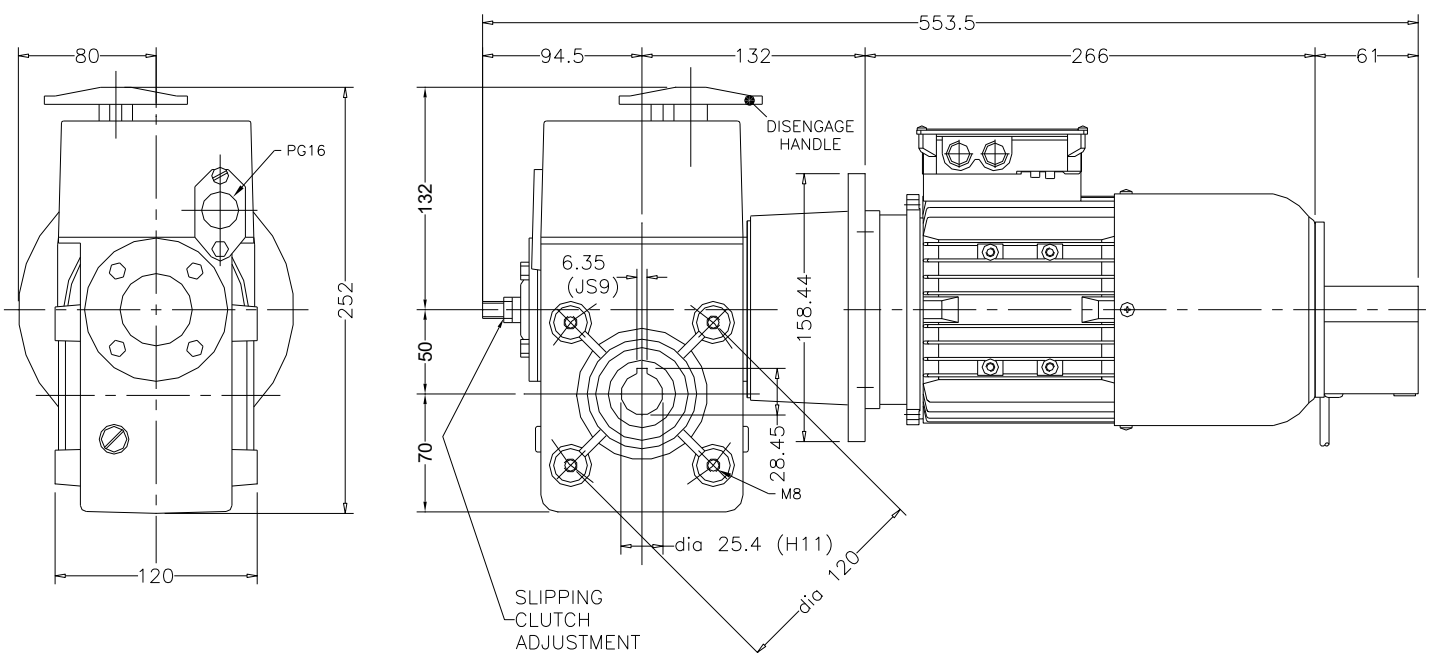
TVRF(C)-50-1 c/w High Level Hand Chain (Optional Slipping Clutch)



**TVRF(C) 50-1 c/w
Floor Level Hand Chain
(Optional Slipping Clutch)**

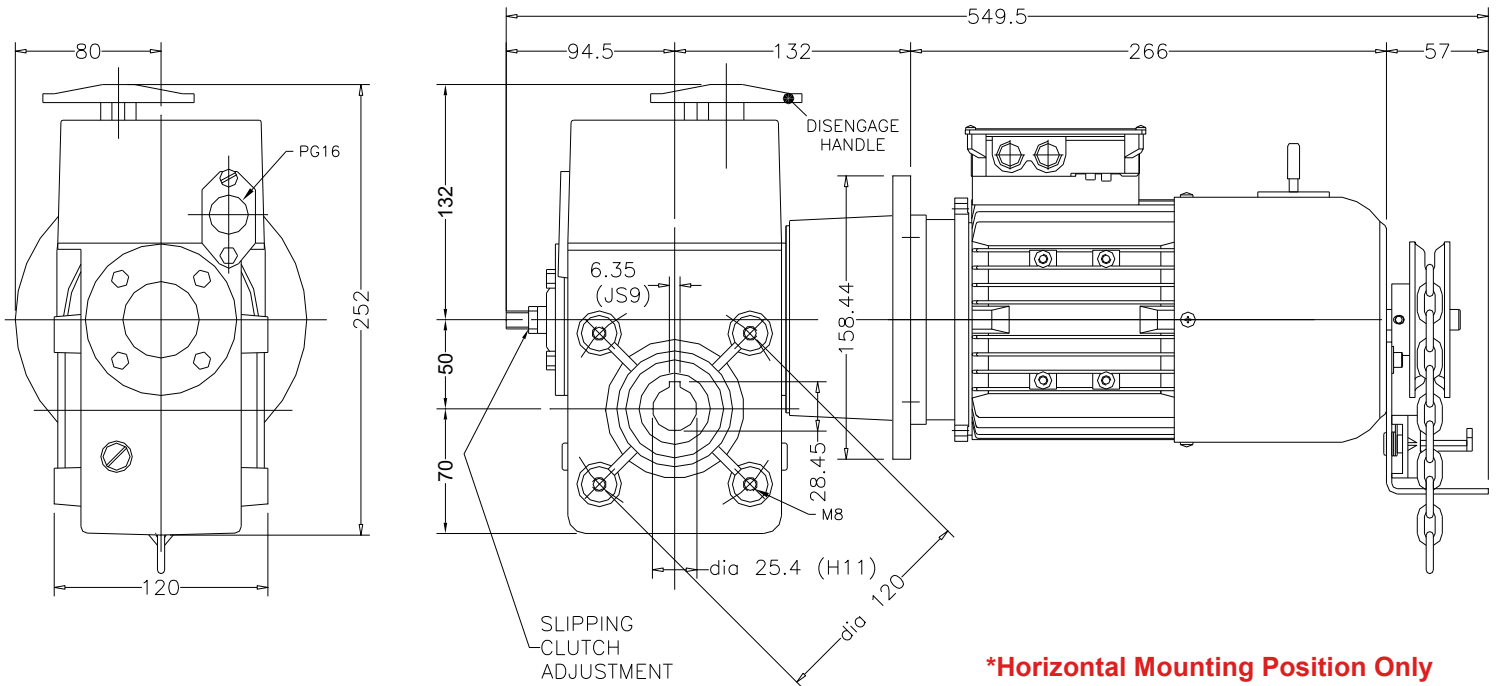


TVRF(C)-100 c/w Disengage Clutch (Optional Slipping Clutch)

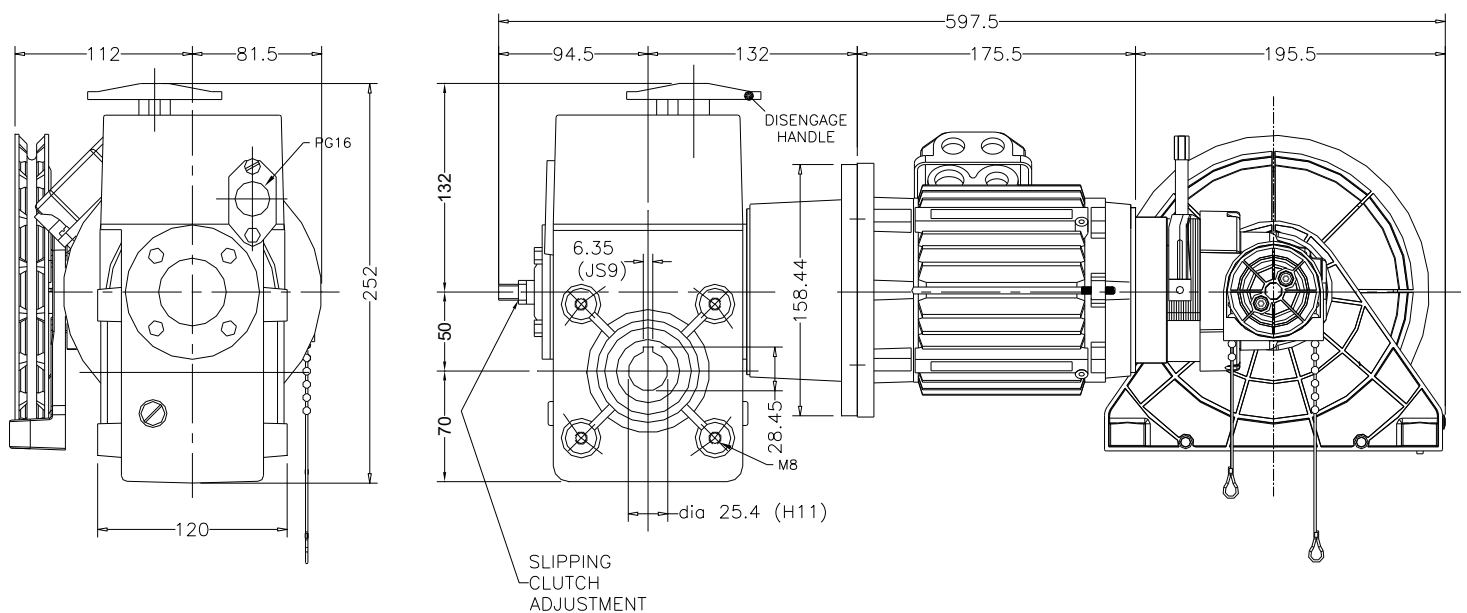


Please Contact Our Sales Department On 01928 579050 For Further Information

TVRF(C)-100 c/w High Level Hand Chain (Optional Slipping Clutch)



TVRF(C)-100 c/w MFZ KE Override (Optional Slipping Clutch)



Please Contact Our Sales Department On 01928 579050 For Further Information