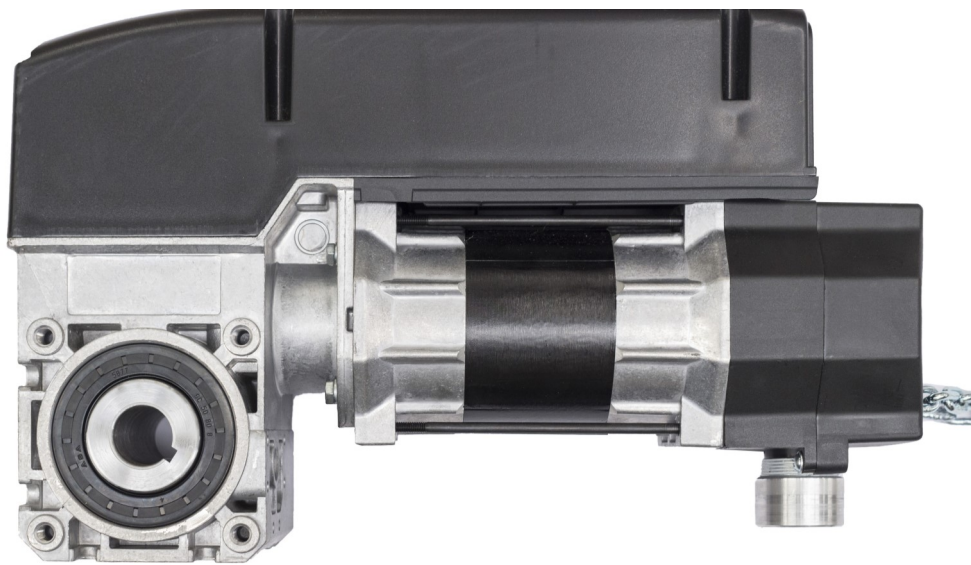


STA Range

Sectional Door Operator



The STA sectional overhead door operator has a 0.55kW, 400V three phase motor.

Alternatively, a 0.3kW, 240V single phase version is available.

These models are available with hand crank, floor level hand chain, high level hand chain or disengage mechanism systems, which enable the door to be manually opened & closed when required.

Available with digital or mechanical limits.

Pre-wired to a basic built on starter or CS series multi-function control panels.

Developed to make installation easy and simple.

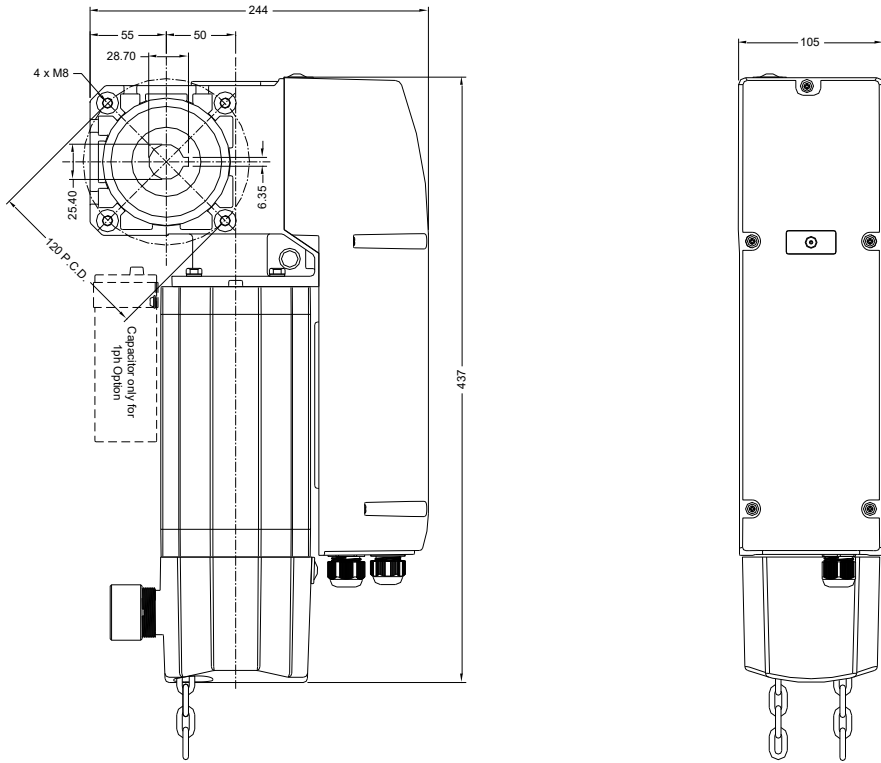
Electronic Limits or Optional 'Spring Sensor' Function available on request.

Operator Specification	400V 3 Phase Operators	230v 1 Phase Operators
Torque (Nm)	100 (140 Peak)	70
Power (Kw)	0.55	0.3
Output Speed (rpm)	24	24
Hollowbore Diameter (mm)	25.4	25.4
Voltage/Phase	400/3	230/1
Current (amps)	1.8	4.7
Frequency (Hz)	50	50
Limit Turns	22	22
Protection (IP)	54	54

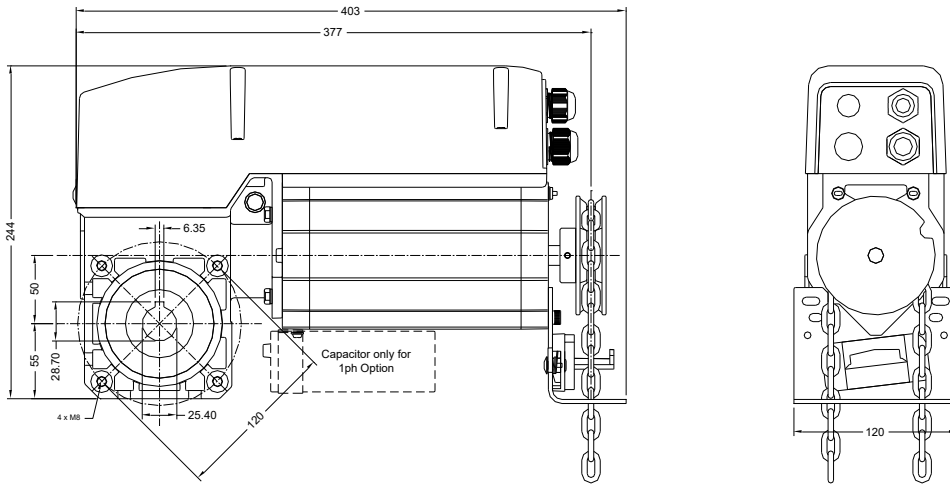
Please Contact Our Sales Department On 01928 579050 For Further Information

Product Dimensions

STA c/w Floor Level Hand Chain Mechanism—Note: Vertical Mount Option Only Available.



STA c/w High Level Hand Chain—Note: Horizontal Mount Option Only Available.



STA c/w Disengage Mechanism—Note: Vertical or Horizontal Mount Option Available.

