

EXI Safety Beam

Hazardous Area Equipment



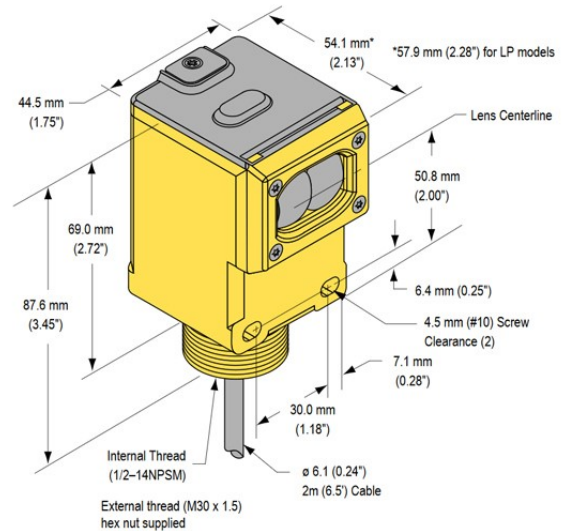
OPERATOR FEATURES:

- * IP 67 Environment Protection
- * Designed in Accordance with DIN 19234
- * Adjustable Sensitivity Setting
- * Sensing Reflector Included
- * Intrinsically Safe EEx ia IIC T6
- * For use with multifunction Exd panel only

Please Contact Our Sales Department On 01928 579050 For Further Information

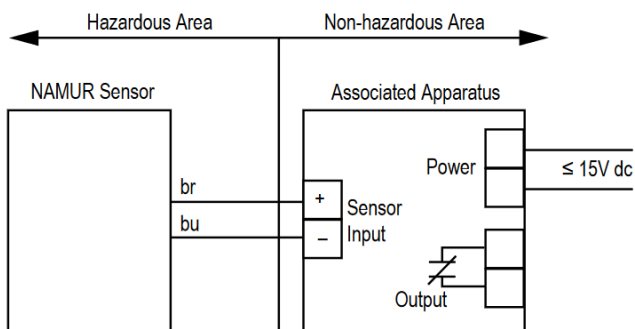
Technical Data:

Data	Type	EXI Safety Beam
Cable		2 m (6.5 ft)
Performance		680 nm, visible red (Range: 9 m (30 ft))
Output Type		Constant Current ≤ 1.2 mA dark ≥ 2.1 mA light
Supply Voltage		5-15 V dc
Ex d Rating		EEx ia IIC T6
IP Rating		IP 67

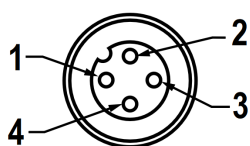
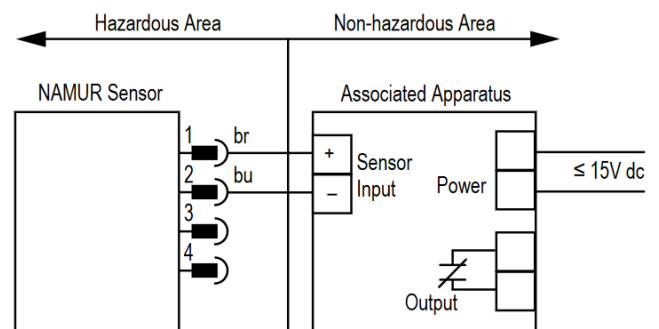


Wiring Connections:

Sensors with Attached Cable



Sensors with Quick Disconnect



- 1. Brown
- 2. Blue
- 3. n/a
- 4. n/a