

# Comfort 860 S, 861 S

Opener systems for sliding gates



## Comfort 860 S, 861 S

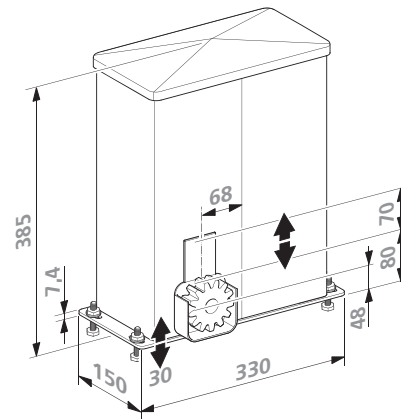
Article	Article no.	Price each
Compact opener Comfort 860 S	114 556	
Compact opener Comfort 861 S	114 564	

### Package

- Motor unit with integrated control unit Control x.82
- Digital 941 module receiver with magnet stand aerial, 868 MHz bi-linked
- Digital 663 mini hand transmitter 3-channel, 868 MHz bi-linked
- Mounting plate and spur gear module 4 pre-assembled
- Mounting material

### Dimensioned drawing

Comfort 860 S, 861 S



1

Swing gate openers

2

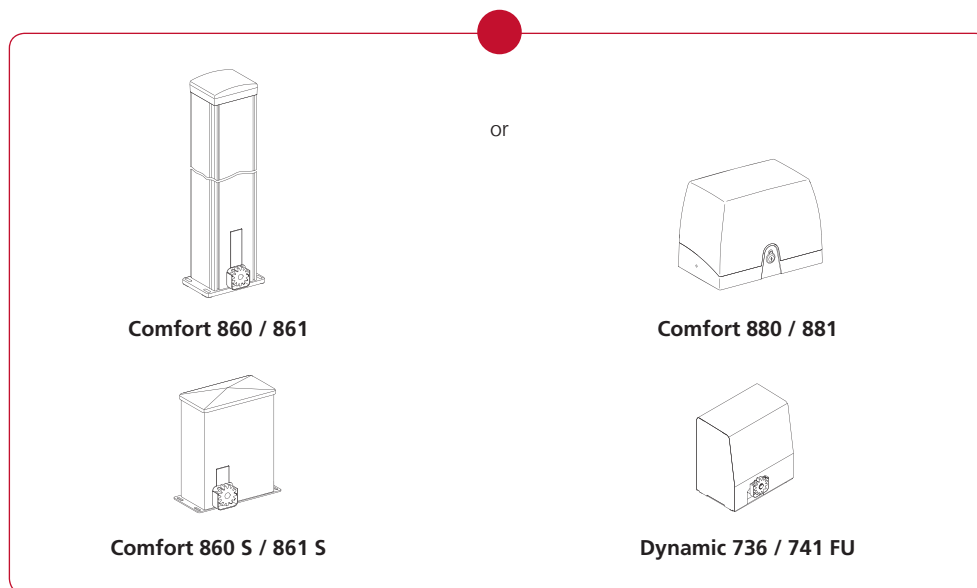
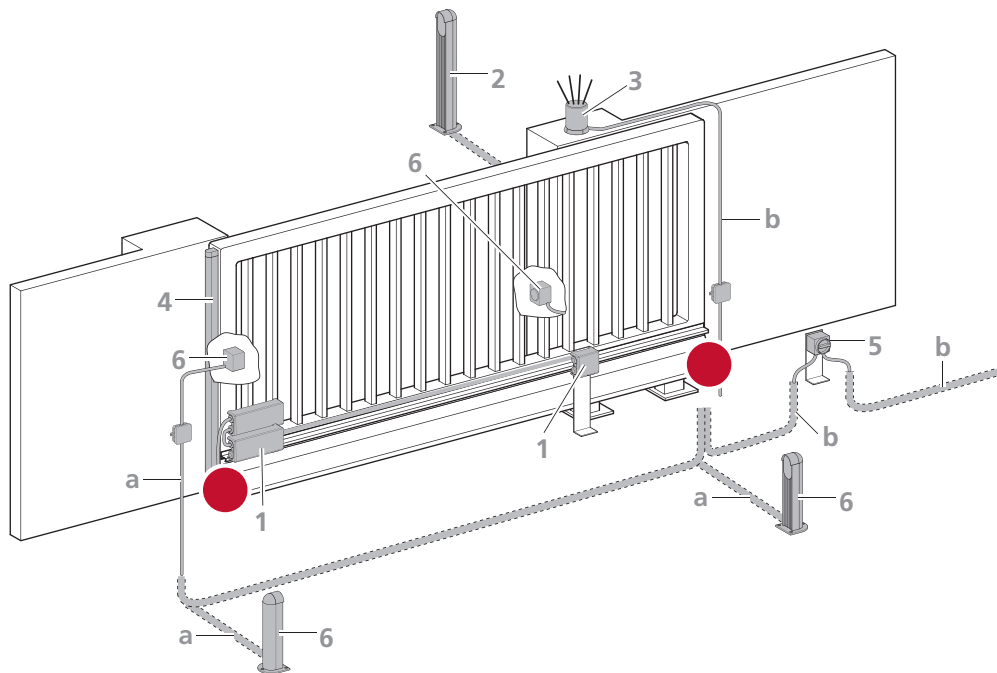
Sliding gate openers

3

Radio accessories

4

General accessories



### Available accessories

- 1 Signal transmission system, e.g. Special 750
- 2 Post with command unit, e.g. Command 312
- 3 Signal light 230 V AC or 24 V DC
- 4 Closing edge safety device passive or active, e.g. Protect-Contact 700
- 5 Main switch, all-pole breaking
- 6 Photocell, e.g. Special 633

### Cabling

- a 2 x 0.5 mm<sup>2</sup>
- b Comfort 860, 861, 880, 881 – 3 x 1.5 mm<sup>2</sup>  
Dynamic 741FU – 3 x 1.5 mm<sup>2</sup>  
Dynamic 736 – 3 x 2.5 mm<sup>2</sup>

1

Swing gate openers

2

Sliding gate openers

3

Radio accessories

4

General accessories

# Information

## Opener systems for sliding gates

1  
Swing gate openers

2  
Sliding gate openers

3  
Radio accessories

4  
General accessories

Comfort 860 / 860 S

Comfort 861 / 861 S

Comfort 880

Comfort 881

Dynamic 736

Dynamic 741 FU

### Application

Gate width (max.)	mm	8,000				18,000	
Gate weight (max.)	kg	400	800	400	800	1,100	1,300
Toothed rack module		4				6	
No active closing edge safety device necessary up to a max. gate weight of (for further information refer to declarations of conformity)	kg	to 400	to 800	to 400	to 800	–	

### Electrical details

Push and pull force (max.)	N	400	800	400	800	–	
Torque (max.)	Nm	–				80	100
Door travel speed (max.)	mm/s	180		230		180 (50 Hz)	120 (50 Hz)
Opening time (gate-specific)	s	15 to 25					

### Electrical details

Nominal voltage	V AC	230				3N~400 / 2301N~230	
Nominal frequency	Hz	50				50	
Power input in operation (approx.)	kW	0.4				1.9	3.3
Power input in stand-by (approx.)	W	3.2					
Operation mode (duty cycle)		S2 – 5 min.				S3 – 60%	
Motor voltage	V	24				3N~400 / 2301N~230	
Control voltage	V DC	24					
Power supply for external elements (max.)	DC/mA	24 / 50				24 / 500	
Protection category motor unit	IP	44				54	
Protection category control unit	IP	65					
Protection class		I					

### General details

Weight motor unit	kg	12.5 to 20.5	14.5 to 22.5	9.5	10.0	27.0	
Range of temperature motor unit	°C	–20 to +60					

# Information

## Opener systems for sliding gates

	Comfort 860 / 861	Comfort 860 S / 861 S	Comfort 880 / 881	Dynamic 736	Dynamic 741 FU
<b>Features</b>					
Economy mode	•	•	•		
Frequency converter technology					•
Reference point technology	•	•	•		
Absolute value encoder technology				•	•
Soft start/soft stop/soft run	•	•	•		•
Electronic push-open security	•	•	•		
Anti-blocking device	•	•	•		
Excess travel stop	•	•	•	•	•
Lockable emergency release (accessible from outside)			•		
Integrated emergency release	•	•		•	•
Housing access via lockable front cover		•			
Housing access via lockable swing door	•				
Housing access via detachable cover			•	•	•
Opener housing usable as gate post	•				
Grooves for easy installation of rubber profiles or contact bars	•				
Pre-assembled lighting unit for retrofitting a signal light into the opener housing	•				
Battery backup in opener housing integrable	•				
Integrated evaluation 8,2 kΩ	•	•	•	•	•
Height adjustable piston rod (max. mm)	160	70			
Marantec EOS programming	•	•	•		
Programming and status indication via LC-display	•	•	•	•	•
Direction of rotation programmable	•	•	•	•	•
Automatic closing function (* only usable in combination with photocell)	• (*)	• (*)	• (*)	•	•
Door open duration and warning time programmable	•	•	•	•	•
Lighting duration programmable	•	•	•		
Lighting switchable via radio	•	•	•		
Automatic cut-out OPEN and CLOSE separately programmable	•	•	•		
Partial opening programmable	•	•	•	•	•
Gate travel speed OPEN and CLOSE separately programmable	•	•	•		•
Soft run position OPEN and CLOSE separately programmable	•	•	•		•
Soft run speed OPEN and CLOSE separately programmable	•	•	•		•
Relay output programmable: signal light, gate position OPEN or CLOSE, wiping impulse (1 s), malfunction, lighting	•	•	•		
Servicing counter and door cycle counter	•	•	•		
Servicing interval programmable	•	•	•		
Fault messages with memory	•	•	•	•	•
Simple reset function				•	•
Multistage reset function (control unit, safety, remote etc.)	•	•	•		
Connection for:					
Push button (conventional)	•	•	•	•	•
Push button (MS-Bus)	•	•	•		
Marantec photocell OPEN and CLOSE (conventional)	•	•	•	•	•
Other's photocell OPEN and CLOSE (conventional)	•	•	•	•	•
Hold circuit (conventional)	•	•	•	•	•
Closing edge safety device 8,2 kOhm OPEN and CLOSE (conventional)	•	•	•	•	•
Signal light 24 V DC (conventional)	•	•	•	•	
Battery backup	•	•	•		
Power supply for external elements 24 V DC (max. mA) (conventional)		50	50	500	500

1

Swing gate openers

2

Sliding gate openers

3

Radio accessories

4

General accessories