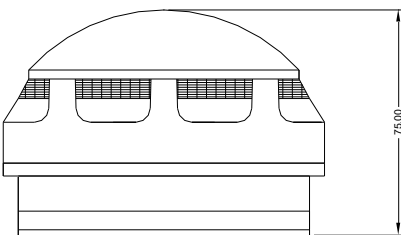
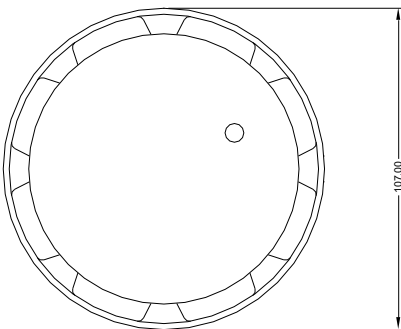


Combined Heat / Smoke Detector

Accessories | Fire Door Operators



The Combined Heat / Smoke Detector is a plug-in type smoke detector that utilises a photo-electric sensing chamber to make a measurement corresponding to smoke density. The device also incorporates a thermistor sensing circuit to allow for accurate heat measurement. These elements allow the device to be configured to a smoke, heat or combined setting.

Features

- 3 Adjustable Temperature Settings (58°C Fixed / 58° Rate of Rise / 90° Fixed)
- Variable Sound Output
- LED Indication
- 3 Adjustable Settings for Smoke Density
- Selectable Response



| | |
|-------------------------|--|
| Operating Voltage Range | 18V to 32V DC |
| Operating Current | 101 uA, Quiescent (Typical) +50uA, End of line ON if applicable (Typical) |
| Colour | White |
| Volume Level | 90+ dB(A) (Sounder High) 70+ dB(A) (Sounder Low) |
| IP Rating | IP 21C |
| Flammability | UL94-V2 |
| Operating Temperature | -10°C to +50°C |
| Dimensions | Ø107mm(Dia)x75mm |

Please Contact Our Sales Department On 01928 579050 For Further Information