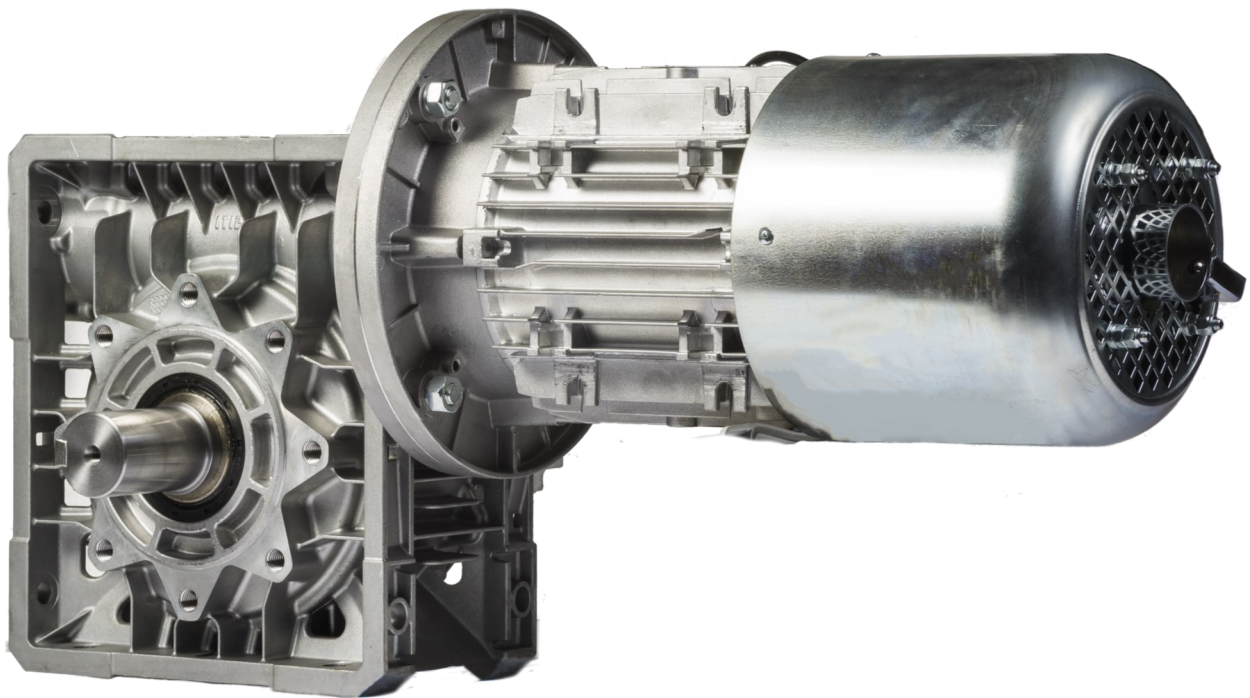


## **CDO-375s & CDO-400s**

**Footmount | Roller Shutter Operator**



### **OPERATOR FEATURES**

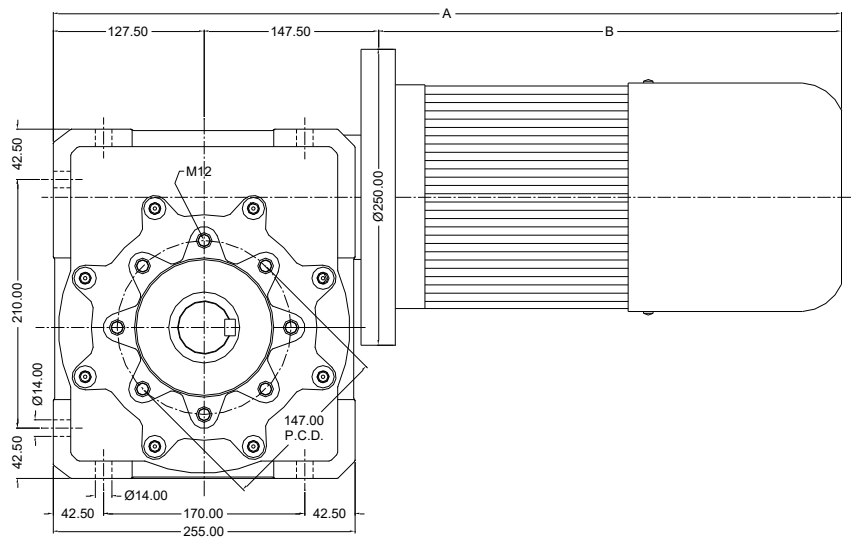
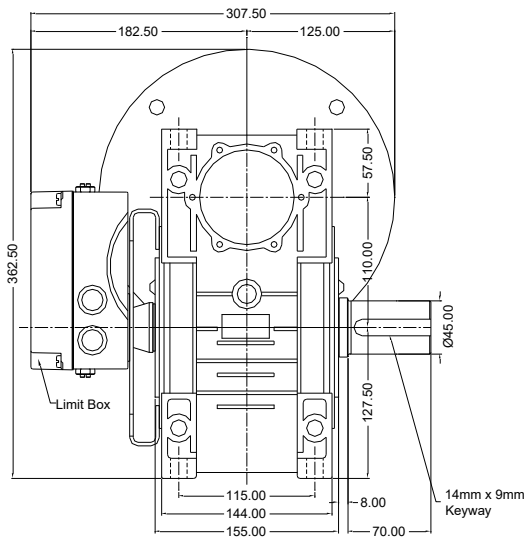
- \* Gear Driven Limit Switches
- \* Integral Thermal Protection
- \* 45mm Dia. industry standard output shaft
- \* I.P. 54 Environment Protection
- \* Phosphor Bronze Worm Wheel
- \* High starting Torque Industrial Duty Motor

**Please Contact Our Sales Department On 01928 579050 For Further Information**

The CDO-375s & CDO-400s Rolling Door Operator is available with a 3kW or 4kW, 400v Three Phase Brake Motor. Both of these operators can be fitted with a Hand Crank Interlock which enables the barrel to be manually turned during installation. Please advise handing & mounting configuration required at time of order.

Data	Type	CDO-375s FOOT MOUNT c/w Hand Crank	CDO-400s FOOT MOUNT c/w Hand Crank
Power (kW)		3	4
Torque (Nm)		835	970
Output Speed (R.P.M.)		24	28
Environmental Protection		I.P.54	
Current (Amps)		7.1	8.8
Power Supply		400v/3ph/50Hz	

### OPERATOR DIMENSIONS:- CDO-375s & 400s 3ph c/w Hand Crank Interlock



Operator Type	A	B
CDO-375s	666	391
CDO-400s	690	415