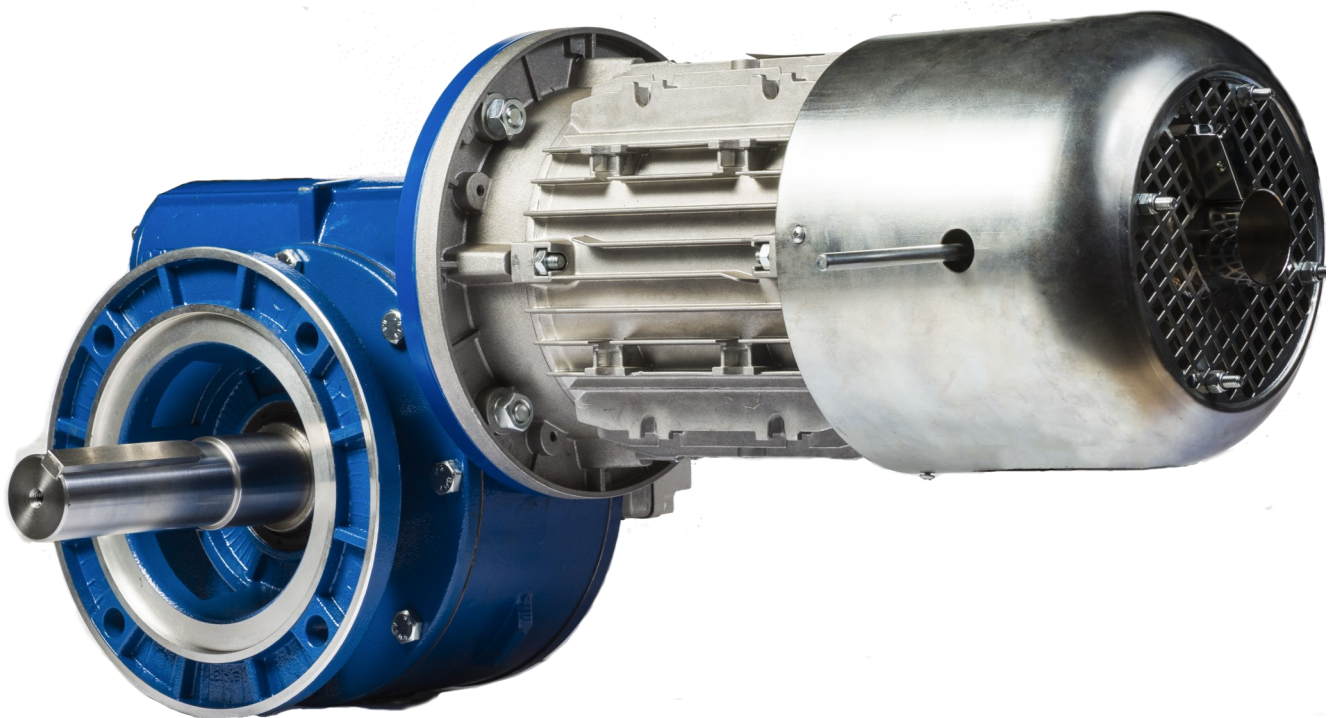


CDO-375 & CDO-400

Flangemount | Roller Shutter Operator



OPERATOR FEATURES

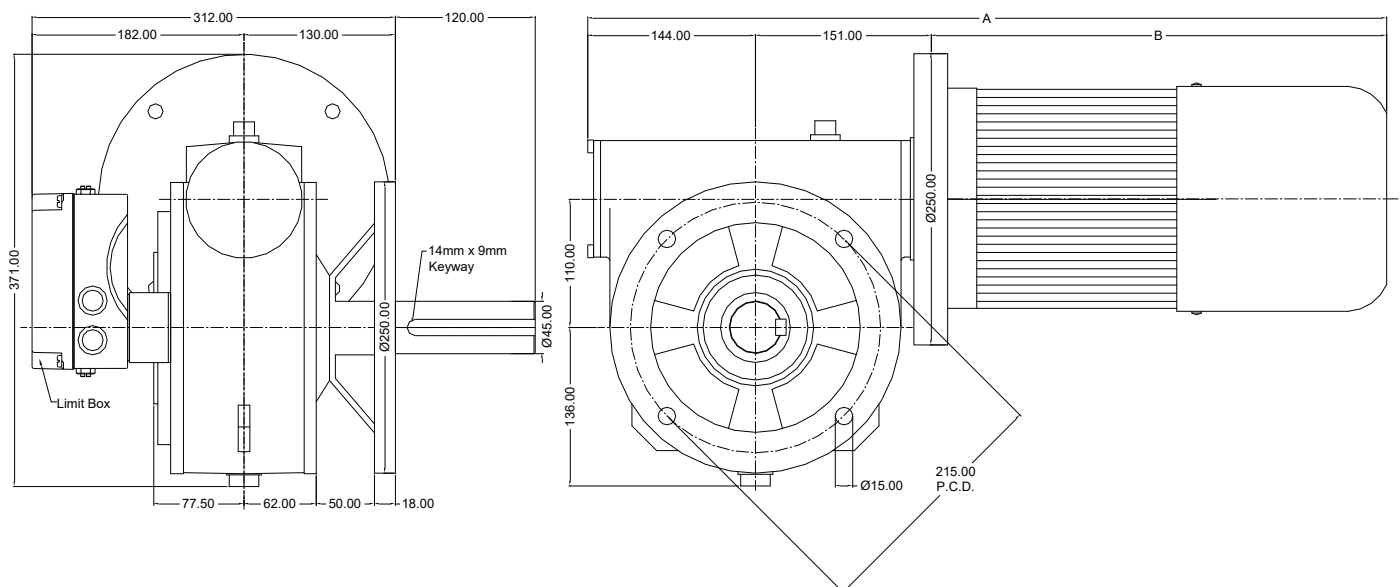
- * Gear Driven Limit Switches
- * Integral Thermal Protection
- * 45mm Dia. industry standard output shaft
- * I.P. 54 Environment Protection
- * Phosphor Bronze Worm Wheel
- * High starting Torque Industrial Duty Motor

Please Contact Our Sales Department On 01928 579050 For Further Information

The CDO-375 & CDO-400 Rolling Door Operator is available with a 3kW or 4kW, 400v Three Phase Brake Motor. Both of these operators can be fitted with a Hand Crank Interlock which enables the barrel to be manually turned during installation. Please advise handing & mounting configuration required at time of order.

Data	Type	CDO-375 Flangemount c/w Hand Crank	CDO-400 Flangemount c/w Hand Crank
Power (kW)		3	4
Torque (Nm)		835	970
Output Speed (R.P.M.)		24	28
Environmental Protection		I.P.54	
Current (Amps)		7.1	8.8
Power Supply		400v/3ph/50Hz	

OPERATOR DIMENSIONS:- CDO-375 & 400 3ph c/w Hand Crank Interlock



Operator Type	A	B
CDO-375	686	391
CDO-400	710	415