

PR.45E

Above Ground Swinging Gate Kits | Domestic Use

Swinging Gate with Articulated Arm

Up to 4.0m

personalised release key



Product Features

- * Irreversible 230 Vac electromechanical geared motor

Irreversible geared motor suitable for gates installed on large columns, available in 230 Vac and 24 Vdc versions. Built-in electromechanical open and close limit switches, with sturdy articulated anti-shearing arm in galvanised steel.

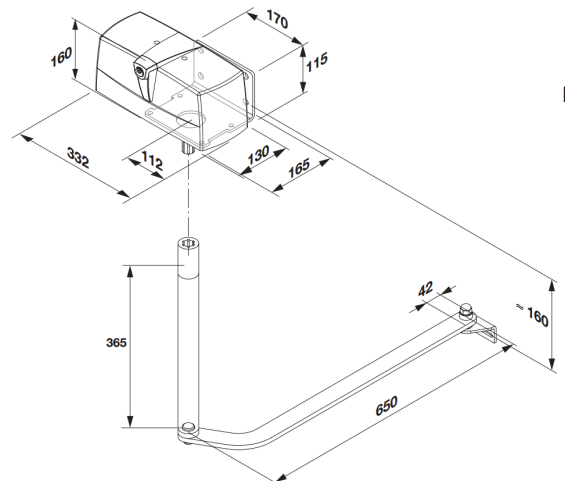


DATA

PR.45E

Power Supply	230 Vac (50-60Hz)
Motor Supply	230VAC
Max Absorbed Current	1.75A
Torque	325Nm
Opening Speed	13Secs
Operation Cycle	30%
Protection Level	IP44
Operating Temp.	-20°C/+50°C
Leaf Max Dimension	3m

Technical



Please Contact Our Sales Department On 01928 579050 For Further Information