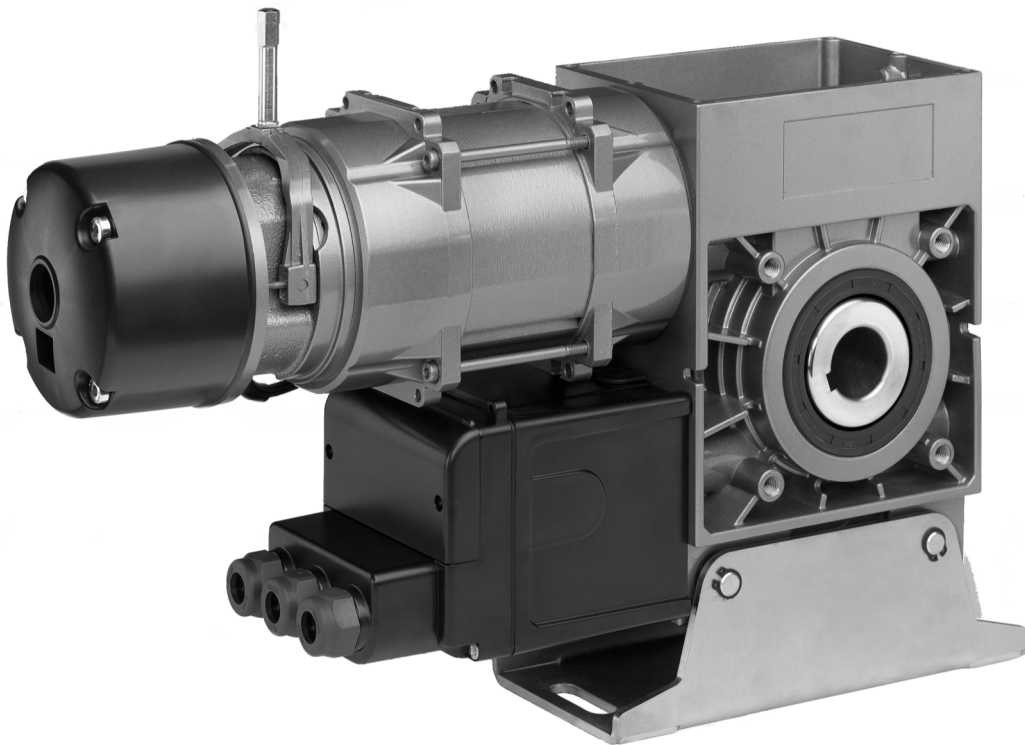


MTZ Range

Rapid Roll Operators



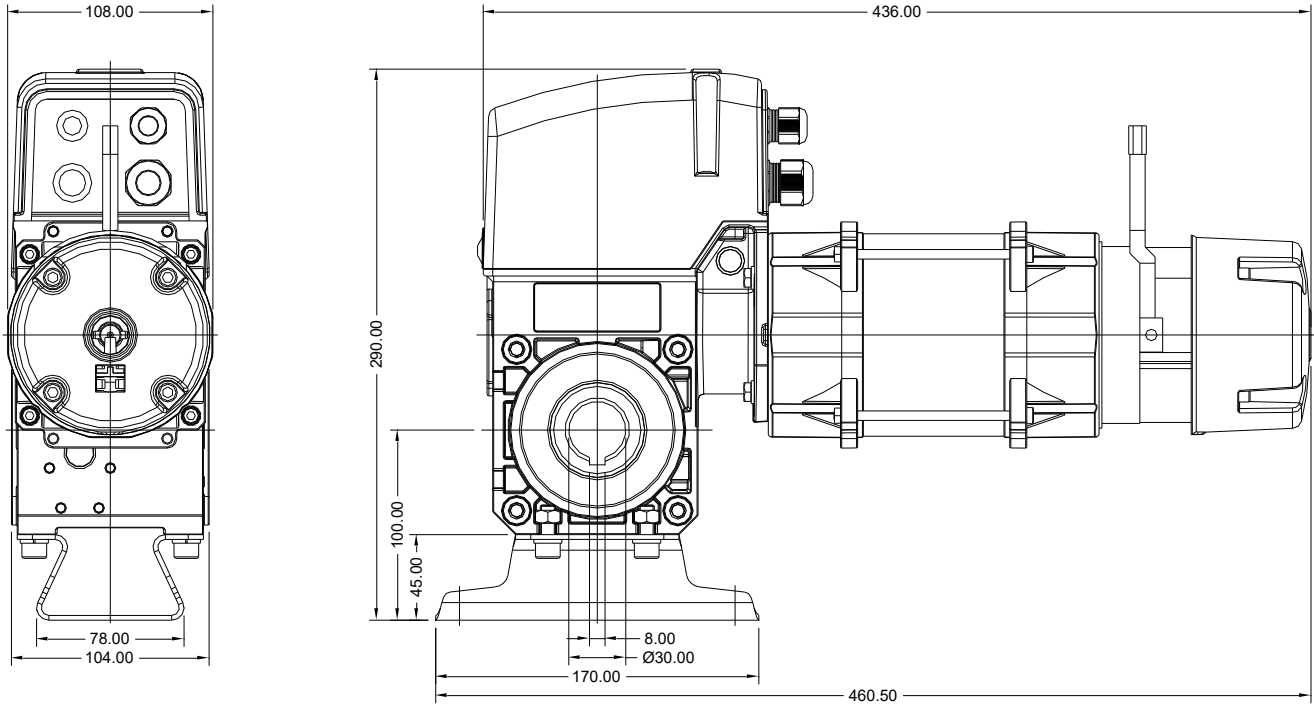
- Integral Safety Gear.
- Hand Crank System.
- Safety Interlock Switch for Manual Operation.
- Integral Thermal Protection.
- I.P. 54 Environment Protection.
- Electronic Limits as standard.
- Phosphor Bronze Worm Wheel.
- High starting Torque Industrial Duty Motor.
- Universal Mounting.

The MTZ range of rapid rolling door operators are supplied with either 0.75 kW, 1.1kW or 1.9kW 230V three phase brake motors.

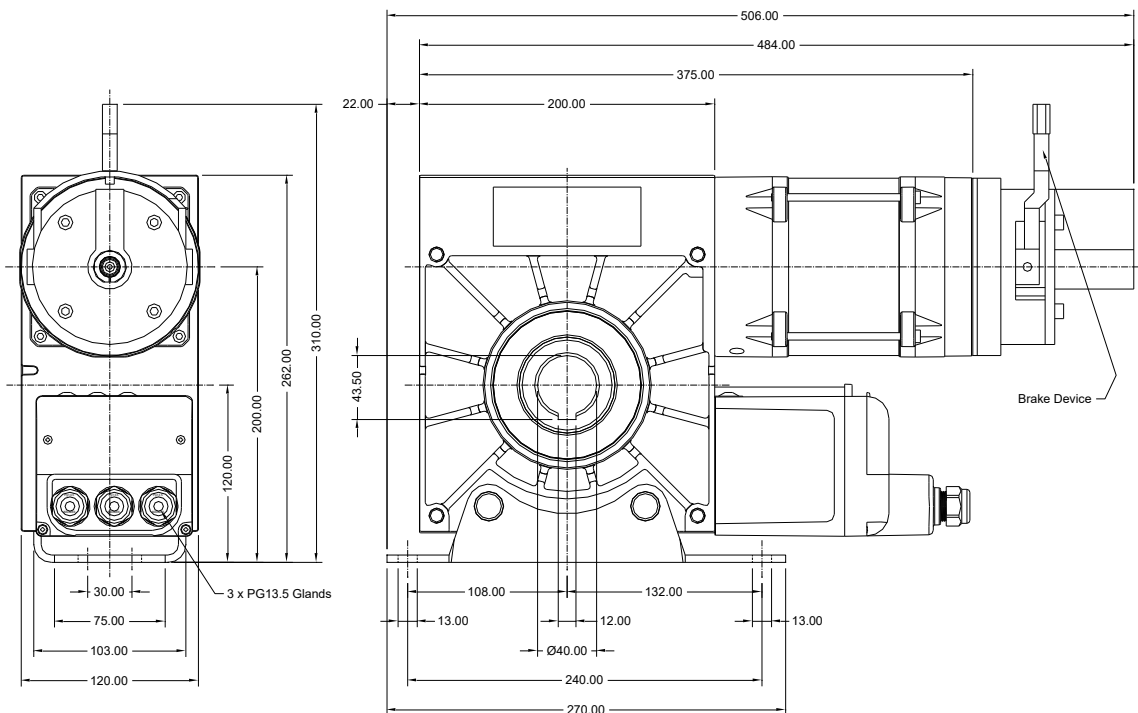
These models are fitted with a hand crank override system which enables the door to be manually operated in the event of mains failure and electronic limits as standard. Other powers and speeds are available on request.

Please Contact Our Sales Department On 01928 579050 For Further Information

MTZ 05 OPERATOR DIMENSIONS (30mm)



MTZ 3 OPERATOR DIMENSIONS (40mm)



Technical Information

Data	Type									
	MTZ05					MTZ30				
Power (kW)	0.75	1.1 (50Hz)				1.9 (100Hz)				
Torque (Nm)	70	250	160	130	90	270	160	130	90	
Output Speed (R.P.M.)	90	25	45	60	90	45	90	120	180	
Environmental Protection	I.P.54									
Current (Amps)	2.4	5.0				8.7				
Bore Dia. (mm)	30	40				40				
Power Supply	230V / 3PH / 50HZ									
Order Code	26-3590	21-3980	21-3981	21-3982	21-3983	21-3984	21-3985	21-3986	21-3987	

Suitable for use with the VST-75 & VST-150 Variable Speed Inverter Control Panels

The VST-75 & VST-150 inverter control panels have been purposely built for 'Rapid Action' industrial doors and gates.

For further details of these control panels please request our VST-75 & VST-150 Data Sheets.

