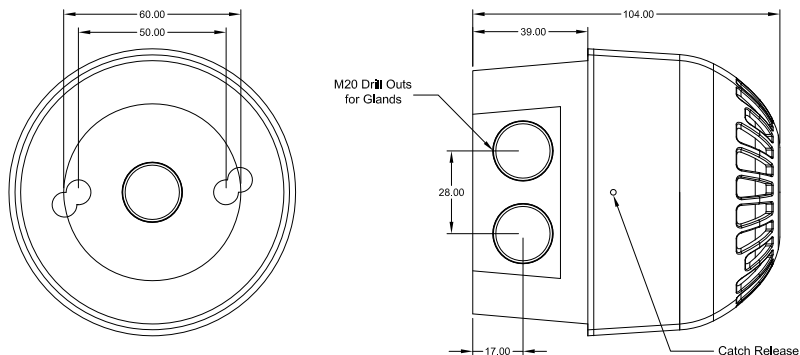
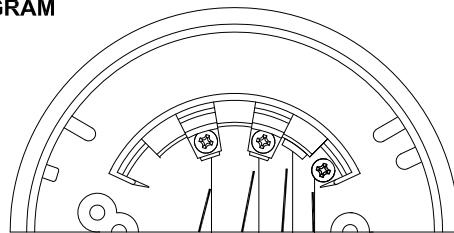
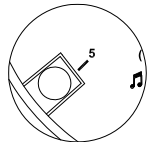


## SOUNDER DIMENSIONS



## CONNECTION DIAGRAM

### Detail A - Terminal 5 Earth Terminal



T1 - Beacon Negative Supply

T2 - Sounder Negative Supply (COM)

T4 - Common Negative Supply OUT

T3 - Common Positive Supply IN

## CONNECTION DETAILS

The sounder and beacon 0V terminals can be linked together for simultaneous control of sound and light using a 2 core connection.

(Common operation models are supplied with terminals 1 & 2 already linked by a permanent internal connection.)

A separate earth terminal is provided on the deep base for connecting the screen or functional earth. On the shallow base terminal 5 can be used for this purpose.

### Technical Specifications

Specification	Supply Voltage Range	Current	Peak Sound Level	Number of Tones	Frequency Range	Operating Temperature	Casing	IP Rating	Synchronisation
Details	17-60V DC	Sounder: 4-45mA* Beacon: 5mA	94 -106 dBA at 1m*	32	400-2850 Hz*	-25°C to +70°C	High Impact Polycarbonate	IP21 (With Deep Base)	Automatic

## DISCLAIMER:

Link Controls Ltd. constantly strives to improve the quality of its goods and as such reserves the right to replace/modify products without prior notification. Any examples given are intended for guidance only.

The mode of operation of this unit must be set using the programming dipswitches, located on the base of the sounder head. For a complete list of various sound settings see the table below.

## EN54 Sounder Beacon 17-60V DC - Logic Table

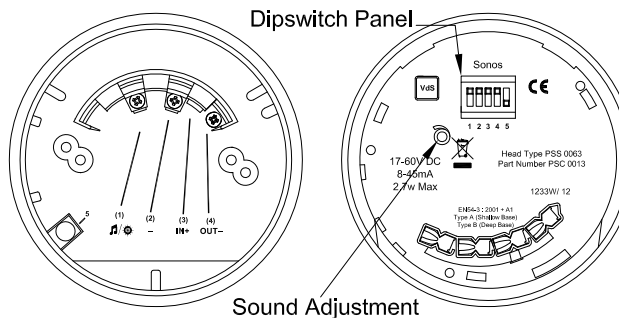
Tone	Tone Type	Tone Description / Application	Dipswitch 1_2_3_4	Sound Level (dBA @ 1M)
1	—	970Hz (BS5839-1:2002)	O-O-O-O-O	98
2	□	800Hz - 970Hz @ 2Hz (BS5839-1:2002)	O-O-O-O-I	98
3	□	800Hz - 970Hz @ 1Hz (BS5839-1:2002)	O-O-O-I-O	97
4	----	970Hz 1s OFF / 1s ON (Apollo Fire Systems Alert Tone (BS5839-1:2002)	O-O-O-I-I	98
5	□	970Hz 0.5s / 630Hz 0.5s (Apollo Fire Systems Alert Tone (BS5839-1:2002)	O-O-I-O-O	98
6	□	554Hz 0.1s / 440Hz 0.4s (France Afnor NF s 32 001)	O-O-I-O-I	94
7	▲▲▲	500Hz - 1200Hz 3.5s / 0.5s OFF (Netherlands - NEN 2575:2000)	O-O-I-I-O	98
8	----	420Hz - 0.625s ON / 0.625s OFF (Australia AS2220 Alert Tone)	O-O-I-I-I	92
9	▲▲▲	500Hz - 1200Hz 3.75s / 0.27s OFF (Australia AS2220 Evacuation Tone)	O-I-O-O-O	99
10	□	550Hz / 440Hz @ 0.5Hz	O-I-O-O-I	95
11	----	970Hz 0.5Hz ON / 0.5s OFF x 3 1.5s OFF (ISO8201 Low Tone)	O-I-O-O-I	98
12	----	970Hz 0.5Hz ON / 0.5s OFF x 3 1.5s OFF (ISO8201 High Tone)	O-I-O-I-I	89
13	□	1200Hz - 500Hz @ 1Hz (DIN 33 404)	O-I-I-O-O	97
14	□	400Hz	O-I-I-O-I	92
15	□	550Hz 0.7s / 1000Hz 0.33s	O-I-I-I-O	96
16	▲▲▲	1500Hz - 2700Hz 0.33s	O-I-I-I-I	101
17	—	750Hz	I-O-O-O-O	97
18	—	2400Hz	I-O-O-O-I	102
19	----	750Hz 0.33s ON 0.51s OFF	I-O-O-I-O	97
20	----	750Hz 0.51s ON / 0.33s OFF	I-O-O-I-I	97
21	----	800Hz 0.2s ON / 0.2s OFF	I-O-I-O-O	99
22	□	510Hz 0.5s 610Hz 0.5s	I-O-I-O-I	97
23	□	550Hz 0.33s / 1000Hz 0.7s	I-O-I-I-O	96
24	▲▲▲	250Hz - 1200Hz @ 12Hz	I-O-I-I-I	92
25	▲▲▲	500Hz - 1200Hz @ 0.33Hz	I-I-O-O-O	98
26	▲▲▲	2500Hz - 2850Hz @ 7Hz	I-I-O-O-I	96
27	▲▲▲	600Hz - 900Hz 0.9s	I-I-O-I-O	97
28	▲▲▲	660Hz - 680Hz 0.9s	I-I-O-I-I	93
29	▲▲▲	670Hz - 725Hz 0.9s	I-I-I-O-O	95
30	▲▲▲	920Hz - 750Hz 0.9s	I-I-I-O-I	99
31	▲▲▲	700Hz - 900Hz 0.3s / 0.6s OFF	I-I-I-I-O	97
32	▲▲▲	900Hz - 760Hz 0.6s / 0.3s OFF	I-I-I-I-I	97

## Tone Selection and Volume Control

a) The tone is selected using the 5 way dipswitch on the bottom of the sounder head. refer to the table above for details of the available tones and the switch settings required to select them

b) The sound output can be reduced by adjusting the potentiometer on the bottom of the sounder.

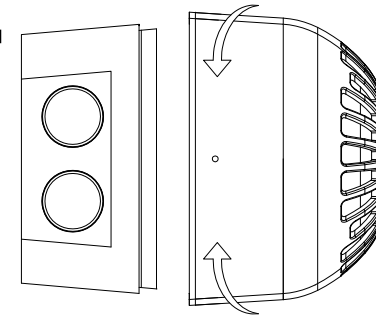
## SOUNDER INTERNAL & EXTERNAL DETAILS



## REPLACING THE SOUNDER HEAD

Twist clockwise to lock and twist anti-clockwise to unlock

To open a locked head, remove rubber bung from catch release. Insert tool in to catch release and depress the clip whilst twisting head, re-fit o-ring & bung afterwards.



T: +44 (0)1928 579050

F: +44 (0)1928 579259

www.linkcontrols.co.uk

sales@linkcontrols.co.uk

Link Controls

Marantec

Title:-

EN54 SOUNDER BEACON 17-60V DC (STOCK CODE: 37-6008)  
INSTALLATION INSTRUCTIONS

Stuart Rd, Manor Park, Runcorn, Cheshire, WA7 1TS

Drawing No:- LC-3101

Page No:- 1 of 1

Revision No:-

Rev Date:-

Drawn By:- C.J.W.

Date:- 31/03/15

Checked By:- J.C.

Appr' By:- R.A.H.