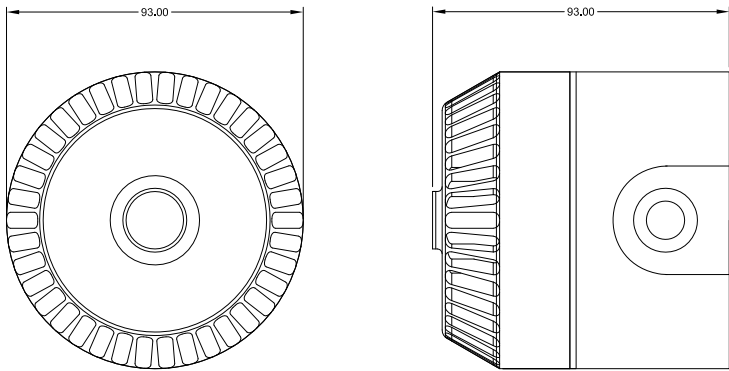
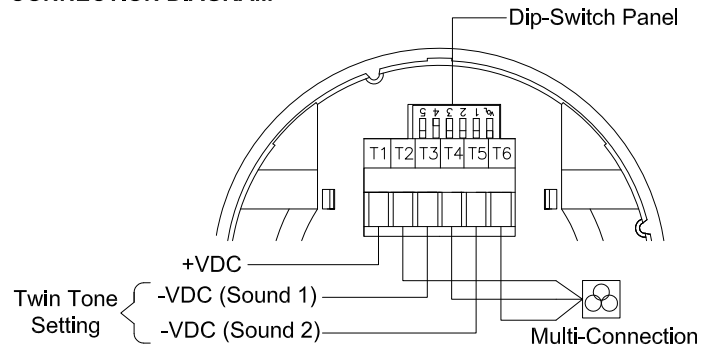


## SOUNDER DIMENSIONS



## CONNECTION DIAGRAM



## CONNECTION DETAILS

1. Connect Common +VDC to terminal 1
2. Connect -VDC (Sound 1) to terminal 3 for sound settings 1 and connect - VDC (Sound 2) to terminal 5 for sound settings 2. See table for information on sound settings

## Technical Information:

EN54-3	Voltage	Voltage	Cable Thickness	Temp	Material	Material	Volume
	18~28VDC	32mA Max	0.28mm <sup>2</sup> ~ 2.5mm <sup>2</sup>	-25°C ~ +70°C	ABS V0	S=Type A (IP54*)	6
	9~15VDC					D/U =	
	9~28VDC					Type B = (IP65*)	32

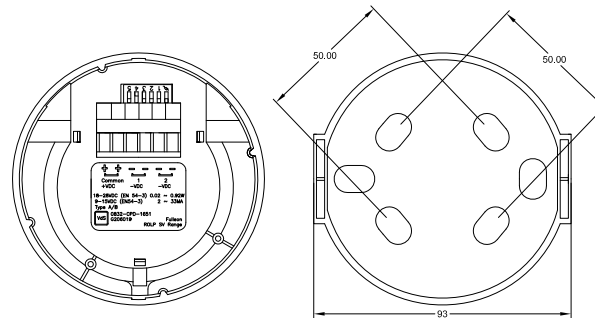
The mode of operation of this unit must be set using the programming dipswitches, located on the base of the sounder head. For a complete list of various sound settings see the table below.

## EN54-3 Fire alarm sounder settings - Logic Table

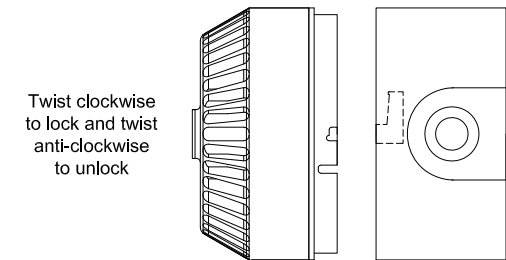
Sound 1	Sound 2	Switch Varalnts	Pattern	Frequency Hz	Rate	Main Application	mA	*12Vdc on axis @1M	EN54-3 15vDC	*12Vdc on axis @1M	EN54-3 15vDC	
1	14	11111	Alternating	800 & 970	2Hz (250ms-250ms)	BS Fire	6	95	*	13	101	*
2	14	11110	Sweep	800 & 970	7Hz (7/s)	BS Fire	8	94	*	12	100	*
3	14	11101	Sweep	800 & 970	1Hz (1/s)	BS Fire	6	95	92	12	102	95
4	14	11100	Continuous	2850	Steady	General Purpose	16	99	*	32	105	*
5	4	11011	Sweep	2400 to 2850	7Hz	General Purpose	16	103	*	32	109	*
6	4	11010	Sweep	2400 to 2850	1Hz	General Purpose	16	105	*	32	112	*
7	14	11001	Slow whoop	500 to 1200	3s sweep, 0.5 s silence, then repeat	Dutch Fire (NEN 2575)	6	97	93	12	103	97
8	14	11000	Sweep (DIN)	1200 to 500	1Hz	German Fire (DIN 33 404)	7	96	93	15	103	94
9	4	10111	Alternating	2400 & 2850	2Hz (250ms-250ms)	General Purpose	15	99	*	31	105	*
10	14	10110	Intermittent	970	0.5Hz (1s On/1s Off)	PFEER Alert	5	95	*	13	101	*
11	14	10101	Alternating	800 & 970	1Hz (500ms/500ms)	BS Fire	6	95	*	12	101	*
12	4	10100	Intermittent	2850	0.5Hz (1s On/1s Off)	General Purpose	16	99	*	28	105	*
13	14	10011	Intermittent	970	0.8Hz (250ms On/1s Off)	General Purpose	6	94	*	11	101	*
14	14	10010	Continuous	970	Steady	PFEER Toxic Gas	7	95	93	14	101	95
15	14	10001	Alternating	555 & 440	100ms-400ms	French Fire (NFS 32-001)	8	96	*	17	102	*
16	16	10000	Intermittent	660	3.3Hz (150ms On/150ms Off)	Swedish (Alr Raid)	6	94	*	10	100	*
17	17	01111	Intermittent	660	0.28Hz (1.8s On/1.8s Off)	Swedish (Local Warning)	6	95	*	10	101	*
18	18	01110	Intermittent	660	0.5Hz (13s Off/6.5Hz On)	Swedish (Pre-Mess)	5	95	*	10	101	*
19	19	01101	Continuous	660	Steady	Swedish (All Clear)	5	95	*	10	101	*
20	20	01100	Alternating	555 & 440	0.5Hz (1s On/1s Off)	Swedish (Turn Out)	7	96	*	16	102	*
21	21	01011	Intermittent	660	1Hz (500ms/500ms)	Swedish General Purpose	7	94	*	10	101	*
22	14	01010	Intermittent	2850	4Hz (150ms On/100ms Off)	Pelican Crossing	12	98	*	27	104	*
23	14	01001	Sweep	800 to 970	50Hz	BS Fire	6	93	*	12	100	*
24	4	01000	Sweep	2400 to 2850	50Hz	General Purpose	15	102	*	32	108	*
25	25	00111	Intermittent	970	3x500ms pulses, 1.5s silence, then repeat	ISO 8201	6	95	*	10	101	*
26	26	00110	Intermittent (I*)	800 to 970	3x500ms pulsed sweep, 1.5s silence, then repeat	ISO 8201	6	95	*	10	102	*
27	27	00101	Intermittent (I*)	970 & 800	3x500ms pulsed sweep, 1.5s silence, then repeat	ISO 8201	5	94	*	10	101	*
28	10	00100	Alternating	800 & 970	2Hz (250ms-250ms)	BS Fire	6	95	*	12	101	*
29	988Hz	00011	Alternating	990 & 650	2Hz (250ms-250ms) (Symphoni Tones)	BS Fire	10	99	93	20	105	96
30	510HZ	00010	Alternating	510 & 610	2Hz (250ms-250ms) (Squashni Mikro Tones)	BS Fire	8	94	91	16	100	92
31	14	00001	Sweep	300 to 1200	1Hz	General Purpose	10	98	*	14	103	*
32	510Hz	00000	Alternating	510 & 610	1Hz (500ms-500ms)	BS Fire	8	95	*	18	100	*

1. Tones certified under CPD (Fire Alarm Applications) are shown in the column marked EN54-3
2. All other SPL measurements are taken 'on axis' & are not third party verified
3. Detailed EN54-3 polar SPL measurements are available in M96-Q24
4. A SPL at least 65dB(A) is achieved in at least one direction at minimum volume/voltage

## SOUNDER INTERNAL & EXTERNAL DETAILS



## REPLACING THE SOUNDER HEAD



T: +44 (0)1928 579050  
F: +44 (0)1928 579259  
www.linkcontrols.co.uk  
sales@linkcontrols.co.uk

Link Controls  
Marantec

Title:-

EN54-3 FIRE ALARM DEVICE - SOUNDER (STOCK CODE: 33-6005)  
INSTALLATION INSTRUCTIONS

Drawing No:- LC-3098	Page No:- 1 of 1
Revision No:-	Rev Date:-
Drawn By:- C.J.W.	Date:- 23/03/15
Checked By:- J.C.	Appr' By:- R.A.H.

Stuart Rd, Manor Park, Runcorn, Cheshire, WA7 1TS