

# 1000VA - 3000VA UPS / Battery Backup Range Installation Instructions

**WARNING!** Read these instructions **FULLY** before use.  
Installation should only be carried out by a **COMPETENT** installer.

**Ensuring  
Effective  
High Quality  
Protection  
For ALL  
Automation  
Applications**



- Pure sine wave output
- High efficiency
- Sleep mode for extended standby times of DAYS not hours\*
- Over 15% more power than similar units
- Reduced size & weight by nearly 50%
- Wide input voltage range
- LCD display with clear, real, easy to read text
- USB connectivity (lead & software optional)
- Plug & play connections
- Remote on / off via RJ11 connector
- Standard IEC mains connector
- Overload, battery discharge and overcharge protection
- Fully CE & RoHS compliant

The Link Controls UPS includes AVR (Automatic Voltage Regulation) as standard, which enables the UPS to regulate a precise output voltage without switching to battery power, even if the input voltage fluctuates by as much as 30% from normal. As a result, this wide input voltage feature extends battery life ensuring the batteries are in prime condition and fully charged to offer maximum runtime should the mains power completely fail.

By utilising the more efficient pure sine wave technology and not the inferior Pseudo-sine wave, we have achieved a more compact and powerful unit than the competition. For example:-

Typical UPS	1000VA pseudo-sine wave	-	600 Watts	
Link Controls UPS	1000VA pure sine wave	-	700 Watts	<b>+15% more power</b>

Pure sine wave technology simulates the normal mains supply resulting in a smooth motor operation, unlike pseudo-sine that will reduce the motor lifting capacity and can result in noisy or even damaged equipment.

T: +44 (0)1928 579050  
F: +44 (0)1928 579259  
www.linkcontrols.co.uk  
sales@linkcontrols.co.uk

**Link Controls**  
**Marantec** 

Stuart Rd, Manor Park, Runcorn, Cheshire, WA7 1TS

Drawing No:- LC-2986

Page No:- 1 of 4

Revision No:- F

Rev Date:- 17/11/17

Drawn By:- C.J.W.

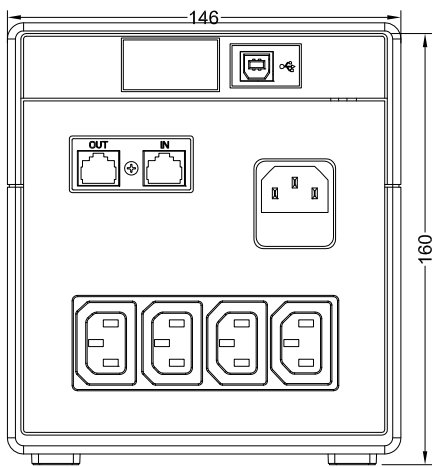
Date:- 31/01/12

Checked By:- J.C.

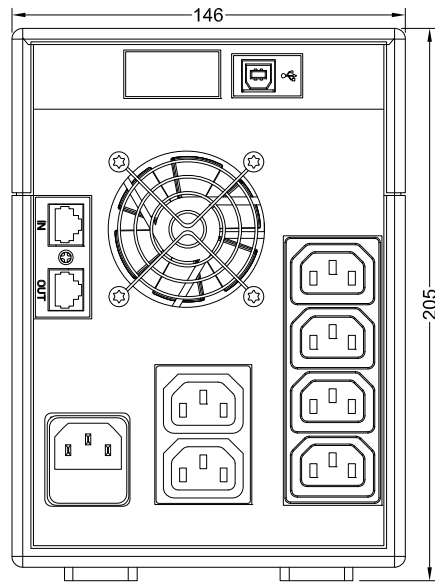
Appr' By:- S.L.

# UPS/Battery Backup Technical Info & Dimensions

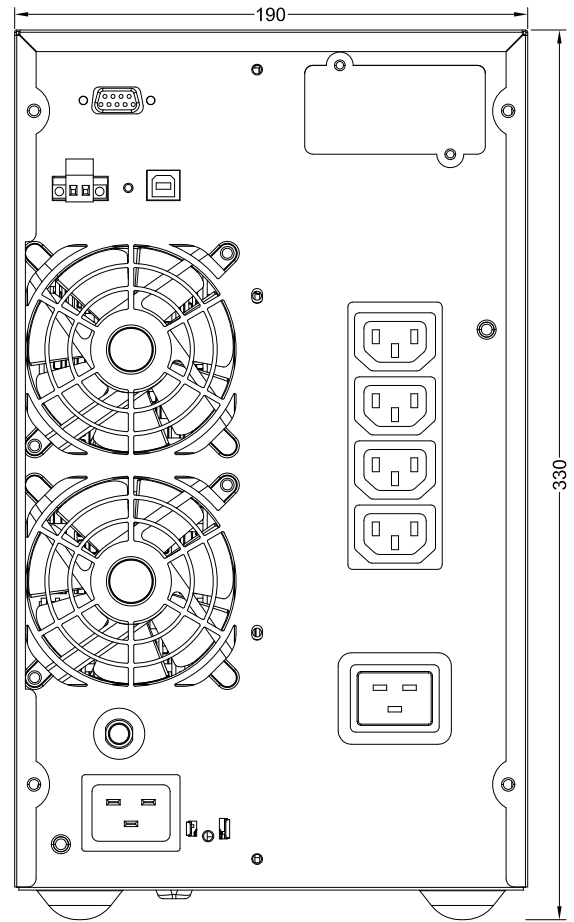
UPS Model	Suitable For Motor Upto:
UPS-1000VA	Eurodrive 120
UPS-1500VA	Eurodrive 150
UPS-2000VA	Eurodrive 330
UPS-3000VA	Eurodrive 500



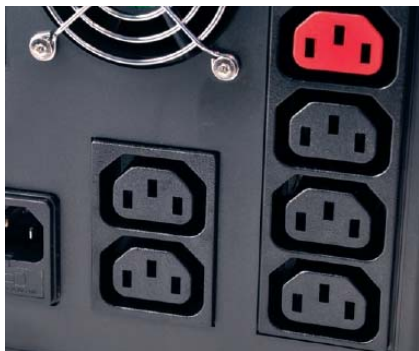
UPS-1000VA



UPS-1500VA & 2000VA



UPS-3000VA



Surge Protected (Red) & Battery Backup Outlets



LCD screen clearly displays connected load & battery charge levels



Intelligent Card Slot for Monitoring & Adaptors

**DISCLAIMER:** Link Controls Ltd. constantly strives to improve the quality of its goods and as such reserves the right to replace/modify products without prior notification. Any examples given are intended for guidance only.

# UPS/Battery Backup Wiring Details & Connections

## IMPORTANT!

- Ensure the the 'Mains In' supply to the UPS is turned on before use. (Display shows 230-240VAC Input)
- Only the BLACK outlets will provide an output if the mains supply is lost.

## Standard Mode

With the UPS mains ON/OFF switch in the ON position (IN), the UPS will provide a backup supply as soon as the mains supply is lost.

## Sleep Mode

In 'Sleep' mode the UPS will be turned off and only become 'live' when a command is given by the keyswitch or the FDI-UPS controller. This will ensure that the UPS can provide the maximum standby time by using power only when required, allowing a fully charged UPS to provide a supply for several days after a power failure.

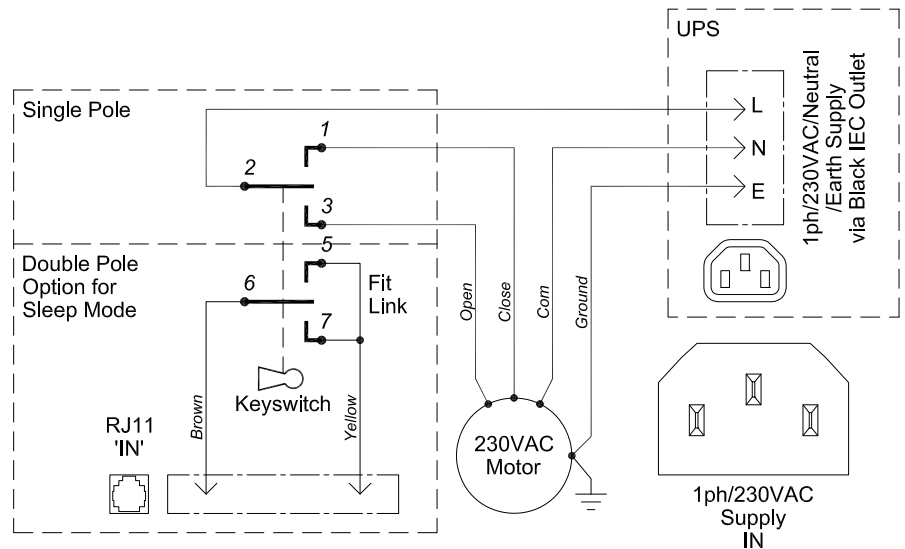
## RJ11 Cable (Supplied)

The RJ11 cable is provided for remote switching.

With the UPS mains ON/OFF switch in the OFF position (Out), the UPS responds to commands from the RJ11 'IN' socket.

## Connections are as follows:

- White (+24VDC, Fused at 1A)
- Green (0VDC)
- Brown (Switch UPS)
- Yellow (Switch UPS)



## Caution!

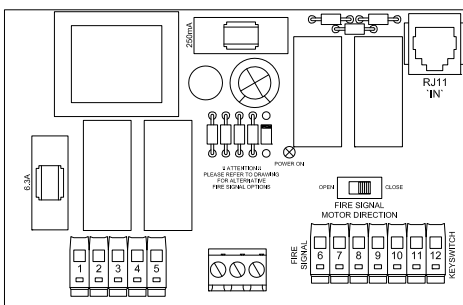
Do not short the green & white wires together.

By shorting the brown & yellow wires together, the UPS will Start.

Separating these two wires will stop the UPS.

## Compatible with Link Controls UPS / FDI Panel

To use the 'sleep' mode plug in the RJ11 lead provided with the UPS into the RJ11 'IN' socket in the top right of the board and the other end into the RJ11 'IN' socket on the rear of the UPS for remote Start/Stop control of the UPS



When the mains supply is healthy the UPS will become 'live' almost immediately and power the motor.

If a power failure occurs, there will be a delay of approx. 3 seconds for the UPS to fully 'wake up' before the motor will run. This 3 second delay also acts as a warning that there may be a problem with the mains supply to the UPS.

# UPS/Battery Backup Technical Info Chart

Models	UPS-1000	UPS-1500	UPS-2000	UPS-3000
Power (VA) Max	1000	1500	2000	3000
Power (Watts)	700	1050	1400	2700
<b>Input</b>				
Input Voltage	220/230/240 VAC			
Input Voltage Window	162-290 VAC			110-300 VAC
Input Frequency	50/60Hz (Auto Sensing)			50/60Hz (+/-10%)
<b>Output</b>				
Voltage Regulation	+/- 10% (Battery Mode)			+/- 1%
Frequency Regulation	+/- 1Hz (Battery Mode)			
Transfer Time Typical	Pure Sine wave (Battery Mode)			
<b>Protection</b>				
Full Protection	Overload, Battery discharge and Overcharge Protection			
<b>Display</b>				
LCD Display	AC Mode, Battery Mode, Load Level, Battery Level, Input Voltage, Output Voltage, Overload, Fault & Battery Low			
<b>Features</b>				
	Off-Mode Charging, AVR, Auto-restart, Cold Start, USB, LCD Display			
<b>Battery</b>				
Type & Number	12V 7.2Ah x 2	12V 9Ah x 2	12V 9.6Ah x 2	12V 9.6Ah x 6
Charging Time	6-hours Recovery to 90%			
<b>Mechanical</b>				
Dimensions (WxDxH)	146 x 350 x 160	146 x 397 x 205	146 x 397 x 205	190 x 330 x 393
Net Weight (Kg)	9	13	14	23
Battery Protected Outputs	3	3	3	4x10A + 1x16A
Surge Protected Outputs	1	1	1	0
<b>Environment</b>				
Operating Temperature Range	0°C - 40°C			
Humidity	0-90% Relative Humidity (Non Condensing)			
<b>Software</b>				
Connection	USB Connectivity			
Operating System	Windows 2008, Windows 7, Windows 8, Windows 10, Linux, Unix & MAC			

## Link Controls (UK) Ltd.

Door & Gate Operators, Access Control & Security Equipment

T: +44 (0)1928 579050

F: +44 (0)1928 579259

[www.linkcontrols.co.uk](http://www.linkcontrols.co.uk)

[enquiries@linkcontrols.co.uk](mailto:enquiries@linkcontrols.co.uk)

Reg'd Office: Link Controls Limited, Stuart Road, Manor Park, Runcorn, Cheshire, WA7 1TS.

Registered in England & Wales No. 2525292