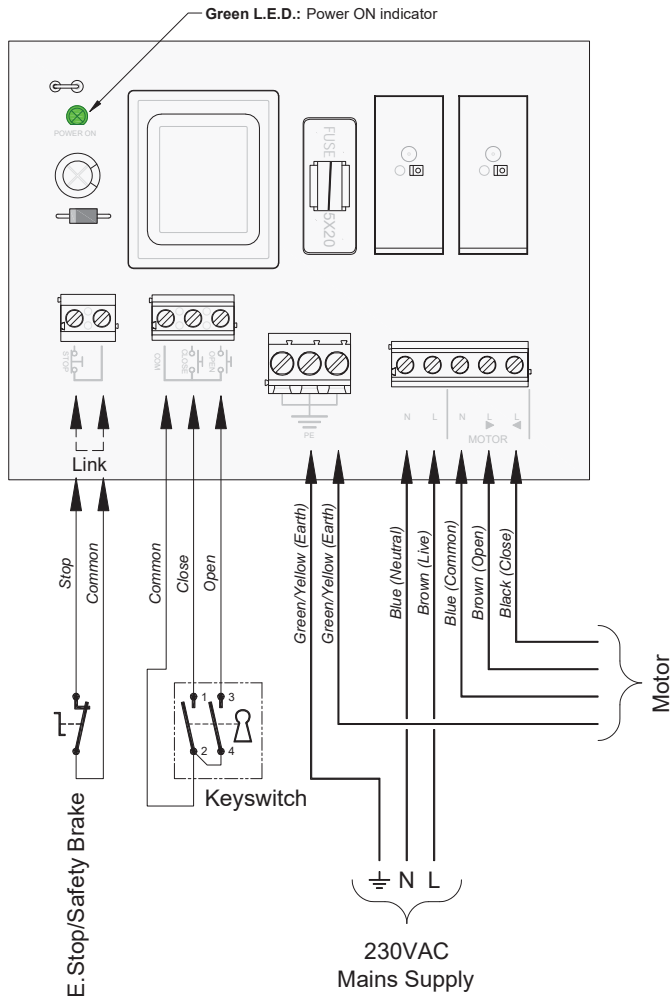
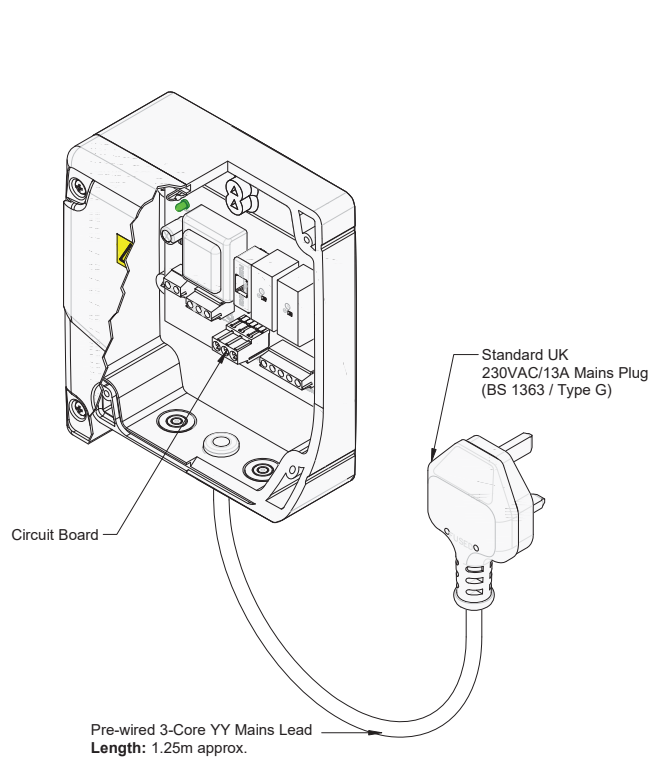


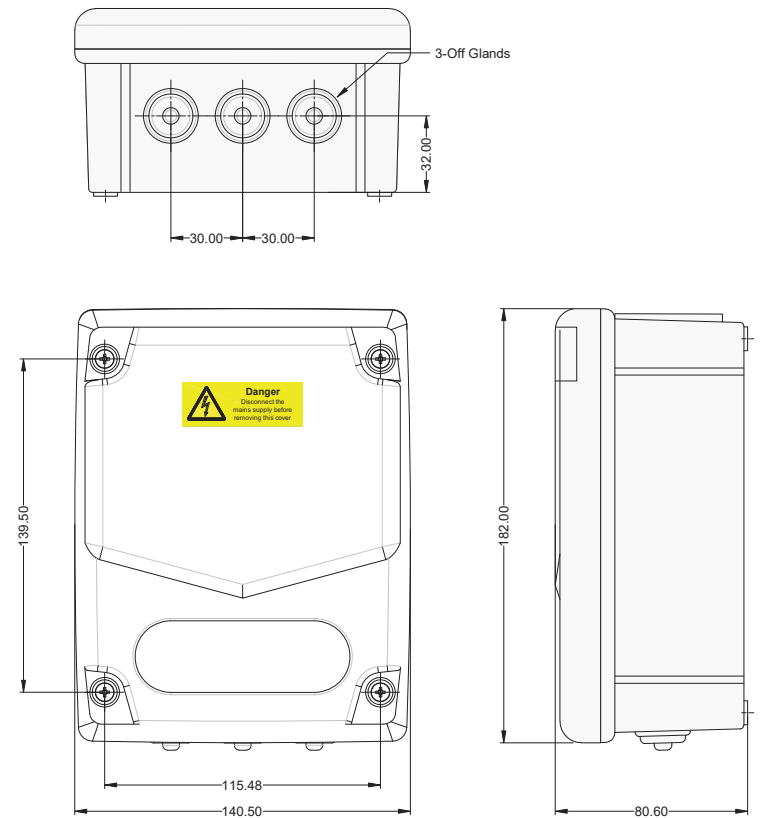
Control Board Layout & Connection Details



Enclosure Layout



Enclosure Dimensions



Installation Instructions

1. Fix the control panel to the wall using the 4 mounting holes provided, taking care not to damage the circuit board.
2. The wiring should be fed through the grommets provided at the bottom of the panel. The 230VAC mains supply should be fed from a suitable fused supply and connected to terminals 'L', 'N' & 'PE', as shown. Alternatively, use the plug (*if supplied*).
3. The motor can now be wired by connecting the motor flex's blue, brown, black & green/yellow wires, as shown
Note:- The maximum motor load that can be connected is the EURO330M/O
4. Any accessories can now be connected (e.g. keyswitch, safety brake switch, etc.)
If the motor runs in the wrong direction, then interchange the brown & black motor wires.

Technical Details

Power Supply	230VAC \pm 10% / 50Hz
Fuse Protection	6.3A
Control Voltage	24V
I.P. Rating	65

Link Controls

Marantec 

T: +44 (0)1928 579050
F: +44 (0)1928 579259
www.linkcontrols.co.uk
sales@linkcontrols.co.uk

Stuart Rd, Manor Park, Runcorn, Cheshire, WA7 1TS

Title:-

EURODRIVE FITTER c/w UK (BS1363) PLUG INSTALLATION INSTRUCTIONS
(STOCK CODE: EUROFITTER)

Drawing No:- LC-2920

Page No:- 1 of 1

Revision No:- B

Rev Date:- 29/04/16

Drawn By:- C.J.W.

Date:- 25/01/10

Checked By:- A.M.

Appr' By:- S.L.