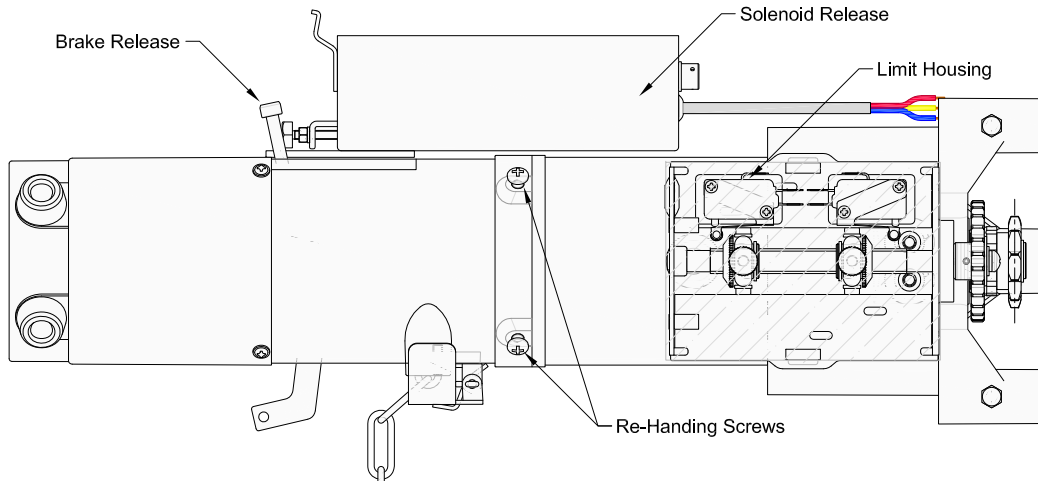


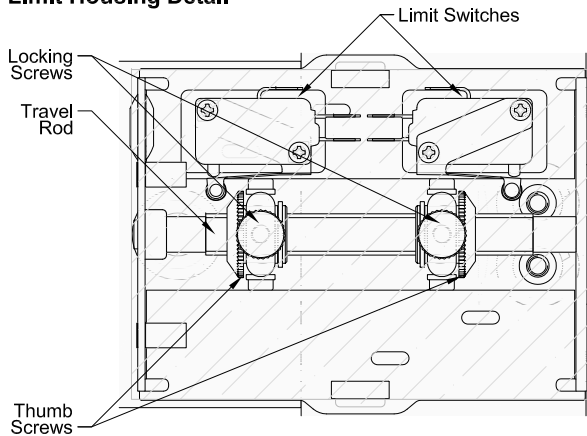
# WARNING!

Read these instructions **FULLY** before use.  
Installation should only be carried out by a **COMPETENT** installer.

**General Layout** (Note:- Product may vary from illustration)

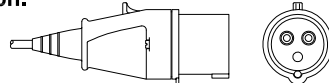


## Limit Housing Detail

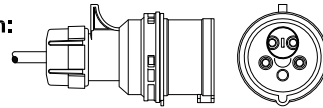


## Power Plug

1ph:



3ph:



**Note:-**

If the power plug is removed, check the plug connections for phase orientation.

## Limit Setting Instructions

1. Loosen both of the locking screws.
2. Wind both of the knurled thumb screws to the centre of the Travel Rod.
3. Re-tighten the locking screws.
4. Apply power to the operator.
5. Run the door to the required Open position.
6. Isolate the power.
7. Loosen the Open limit locking screw.
8. Turn the Open limit thumb screw until the limit is just made.
9. Tighten the locking screw and re-apply the power.
10. Run the door partially down until it is no longer switching the Open limit and then re-open the door to ensure that the Open limit is set correctly; fine adjust accordingly.
11. Repeat steps 4-10 for the Close limit.

## Fire Signal Connection

If an optional brake release solenoid is fitted, connect a 24VDC Fire Alarm signal via Red (+) & Blue (-).

## Resetting the Solenoid

Manual-Reset Solenoid (NBG-3)- Pull the Manual Reset cord prior to running the motor.

Auto-Reset Solenoid (NBG-5) - Reset once the Open button is pressed and the motor runs.

## Handing the Operator

To re-hand the operator, loosen the four re-handing screws on the motor.

Rotate the rear section of the operator to the correct orientation and re-tighten the screws.

## Technical Specification

Operator Specification	NBG-350S	NBG-600S	NBG-800S	NBG-1000S	NBG-600T	NBG-800T	NBG-1000T
Voltage (V)	230 (1ph)	230 (1ph)	230 (1ph)	230 (1ph)	400 (3ph)	400 (3ph)	400 (3ph)
Current (A)	2.2	2.9	3.5	4.1	1.7	2.0	2.5
Power (kW)	0.25	0.37	0.45	0.55	0.37	0.45	0.75
Speed (r.p.m.)	24	30	30	24	30	30	24
Torque (Nm)	43	75.5	110	124	75.5	110	220
Limit Turns	60	60	75	65	60	75	65
Lifting Capacity (Kg)	245 @ 5"	525 @ 5"	635 @ 6.625"	1000 @ 6.625"	600 @ 5"	800 @ 6.625"	1360 @ 6.625"
Stock Code	25-5350	25-5060	25-5046	25-5048	25-5063	25-5044	25-5042

## DISCLAIMER:

Link Controls Ltd. constantly strives to improve the quality of its goods and as such reserves the right to replace/modify products without prior notification. Any examples given are intended for guidance only.

T: +44 (0)1928 579050  
F: +44 (0)1928 579259  
www.linkcontrols.co.uk  
sales@linkcontrols.co.uk

**Link Controls**  
**Marantec**

Stuart Rd, Manor Park, Runcorn, Cheshire, WA7 1TS

Title:-

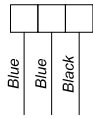
NBG SERIES FIRE DOOR CONTROLLED DESCENT OPERATORS  
INSTALLATION INSTRUCTIONS

Drawing No:- LC-2880	Page No:- 1 of 2
Revision No:- F	Rev Date:- 07/03/17
Drawn By:- C.J.W.	Date:- 01/12/08
Checked By:- J.C.	Appr' By:- P.W.

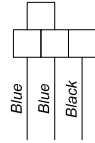
### Operation

The pushbutton station may be configured to any of the following modes of operation; fit link(s) as required.

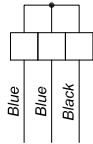
#### Deadman Open/Deadman Close



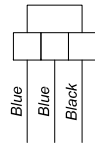
#### Impulse Open/Deadman Close



#### Impulse Open/Impulse Close



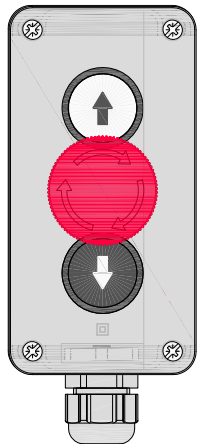
#### Deadman Open/Impulse Close



**Caution!** Regulations **MUST** be observed

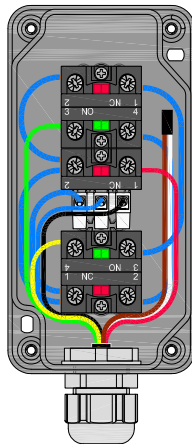
**IMPORTANT!** The wire colours displayed for the Operational links shown above are subject to change and are intended for guidance only. If the wire colours of the pre-wired pushbutton station (supplied with your NBG operator) differ from the examples shown, then please substitute your wire colours using the 'Simplified Wiring Configuration' provided below, as a reference. e.g. If white & yellow wires were connected to the 3-way contact block instead of blue & black, then the colours of the above links would alter too.

### Pushbutton Orientation & Wiring Configuration

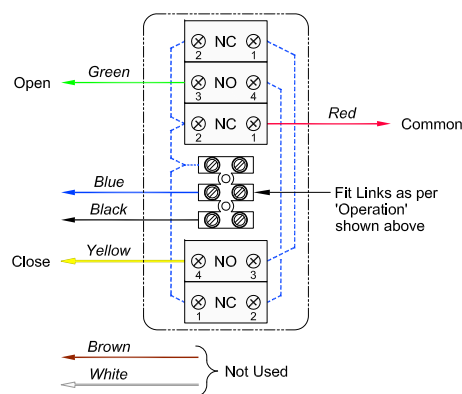


Open

Close

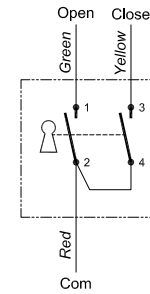
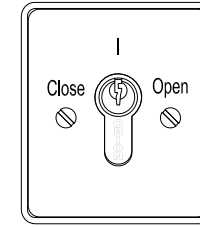


#### Simplified Wiring Configuration



### Keyswitch Wiring

The pushbutton station may be substituted for a keyswitch.



#### Note:-

The above configurations are based upon the orientation of the pushbutton being the same as that displayed below. If the mounting position varies from that shown, please adjust links accordingly.

T: +44 (0)1928 579050  
F: +44 (0)1928 579259  
www.linkcontrols.co.uk  
sales@linkcontrols.co.uk



Title:-

NBG SERIES FIRE DOOR CONTROLLED DESCENT OPERATORS  
INSTALLATION INSTRUCTIONS

Stuart Rd, Manor Park, Runcorn, Cheshire, WA7 1TS

Drawing No:- LC-2880	Page No:- 2 of 2
Revision No:- F	Rev Date:- 07/03/17
Drawn By:- C.J.W.	Date:- 01/12/08
Checked By:- J.C.	Appr' By:- P.W.