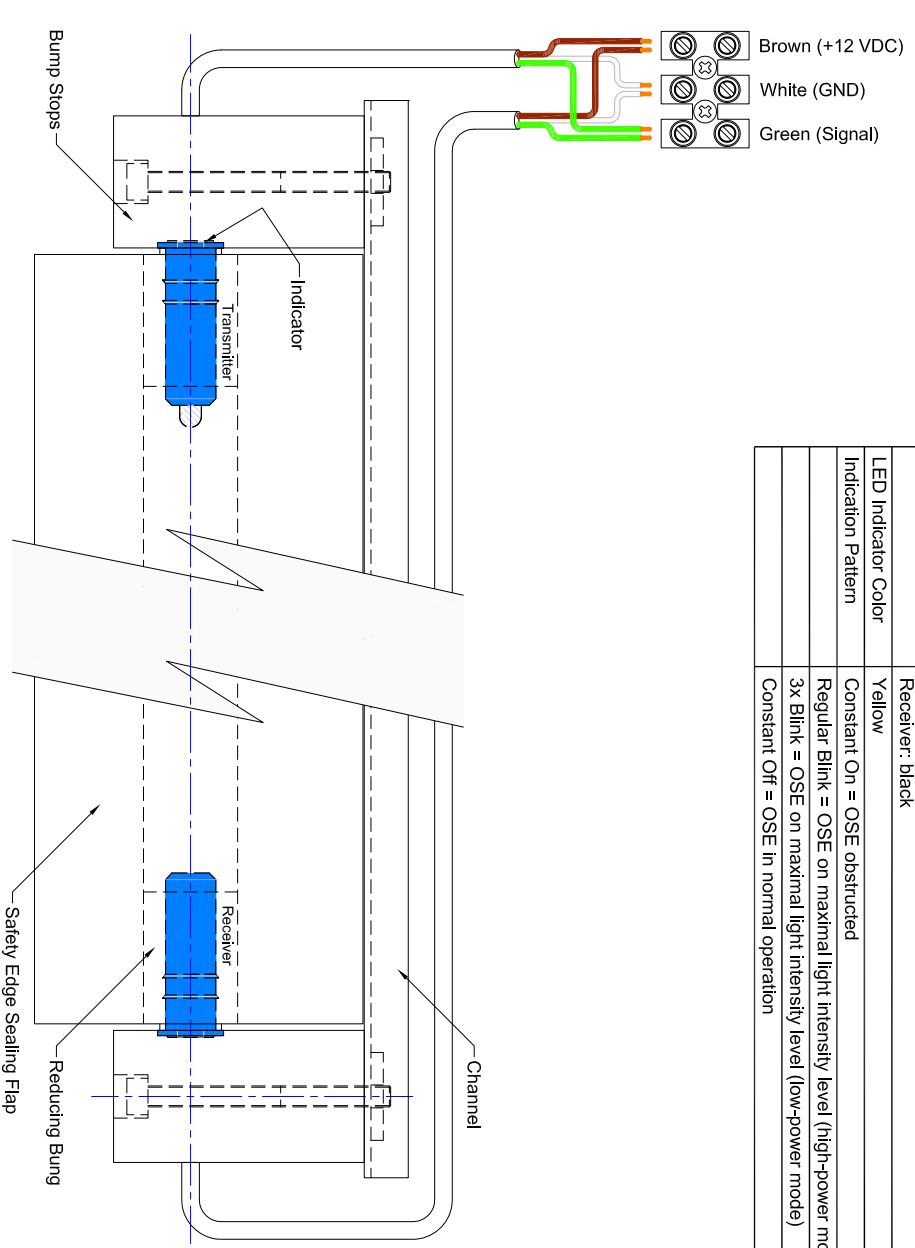


- Key Features:**
- Developed acc. DIN EN 12453 and EN 12978
 - High Safety (Cat. 3 DIN EN 13849-1)
 - Self-adjusting System (Intelligent Sensors)
 - High availability due to the dynamic adjustment
 - Low actuation forces
 - Easy assembly
 - Easy and simple on-site installation
 - High resistance against environmental influences
 - Interface compatible to FRABA OSE

Technical Specification:	
Colour	Usage
Brown	Voltage supply 4 – 28 VDC
White	GND
Green	OSE signal
Usage temperature	-20 °C - +75 °C
Safety information	Cat.3 PL d (EN ISO 13849-1)
Range	0,5 m to 10 m
Housing material	Polyethylene
Housing diameter	11 mm
Housing length	39,3/37 mm (Transmitter/Receiver)
Cable	PVC/PVC Shield and insulation polyvinylchloride 3 x 0,14 mm ² grey
Potting material	Polyurethane
Potting colour	Transmitter: transparent
LED Indicator Color	Receiver: black
Indication Pattern	Constant On = OSE obstructed
	Regular Blink = OSE on maximal light intensity level (high-power mode)
	3x Blink = OSE on maximal light intensity level (low-power mode)
	Constant Off = OSE In normal operation

Typical Installation Diagram



Safety Edge Installation Instructions

1. Cut the rubber profile & associated aluminium mounting channel to the req'd length.
2. Insert the transmitter and receiver into the reducing bung.
3. Insert this assembly into the hollow chamber of the rubber profile. (To aid insertion this can be wetted with a little water or spirit).
3. Pull the receiver lead through the second chamber to the transmitter side with the aid of a pull in wire (*not included*).
4. Connect the sensors as shown in the connection diagram.
5. To prevent damage to the rubber profile, the transmitter or receiver as the door closes against the safety edge, it is recommended that 'bump stops' are fitted to the channel as shown in the diagram.

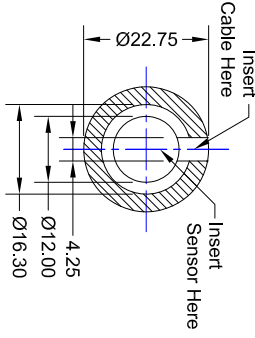
Caution!

If the receiver is exposed to intense extraneous light sources, the safety edge will switch off. Sensor function is only guaranteed if used in a suitable rubber profile. During installation all elements have to be switched tension free. All installations and servicing must be carried out by authorised personnel only. The relevant national and local standards & guidelines have to be respected.

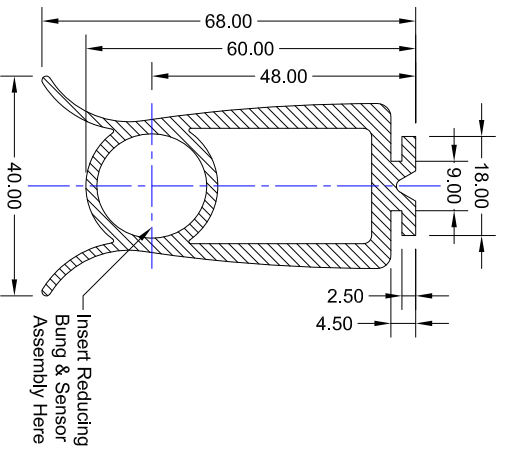
Before Safety Edge Operation

- Check wiring connections against the diagram.
- Ensure the safety edge completely covers the hazardous area.
- Check the safety edge actuates at several positions with a stopped door.

Reducing Bung



Safety Edge Profile



IMPORTANT! Reference: Optical Safety Edge Junction Box (Stock Code: 33-2113)
Please request Drawing No. LC-2900 for Junction Box installation instructions.

T: +44 (0)1928 579050
F: +44 (0)1928 579259
www.linkcontrols.co.uk
sales@linkcontrols.co.uk

Link Controls
Marantec

Stuart Rd, Manor Park, Runcorn, Cheshire, WA7 1TS

Title:-

OPTICAL SEND & RECEIVE SAFETY EDGE
INSTALLATION INSTRUCTIONS
(STOCK CODE: 33-2300)

Drawing No:- LC-2718	Page No:- 1 of 1
Revision No:- G	Rev Date:- 20/06/18
Drawn By:- R.A.H.	Date:- 03/11/05
Checked By:- J.C.	Appr By:- S.L.