

SPECIFICATIONS

Supply Voltage & Current 5 – 15V dc. Supply voltage is provided by the amplifier to which the sensor is connected.

Output Constant Current Output: $\leq 1.2\text{mA}$ Dark and $\geq 21\text{mA}$ Light conditions.

Output Response Time Opposed mode receiver: 2 milliseconds on/0.4 milliseconds off. All others 5 milliseconds on/off (does not include amplifier response)

Adjustments Multi-turn sensitivity control on top of sensor, beneath a transparent O-ring sealed lexan cover. This allows precise sensitivity setting (turn clockwise to increase gain).

Indicators Indicator LED's are highly visible, located beneath a raised transparent lexan dome on top of the sensor. Power (red) led lights whenever 5–15V dc power is applied. Signal (red) led lights whenever the sensor is aligned.

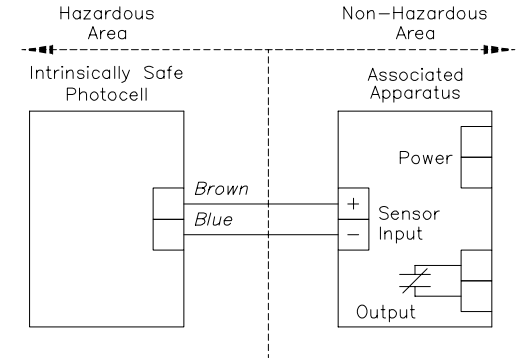
Construction Moulded thermoplastic polyester housing, o-ring sealed transparent lexan top cover, moulded acrylic lens and stainless steel hardware. The sensors are designed to withstand 1200 psi washdown. The base of the cabled models has a 1/2" NPS integral conduit thread.

Environmental Rating NEMA 6P, IEC IP67

Connections PVC Jacketed 2M (6.5')

Operating Conditions Temperature: -40° to $+70^{\circ}\text{C}$ (-40° to $+158^{\circ}\text{F}$)
Maximum Relative Humidity: 90% at 50°C (Non-Condensing)

Design Standards These Sensors comply with the following standards:
DIN 19 234, EN 50 014 Part 1. 1977, EN 50 020 Part 7. 1977



APPROVALS

CSA: #LR 41887 Intrinsically safe, with entity for:
Class I, Groups A–D

FM: #J.I. 5Y3A4.AX Intrinsically safe, with entity for:
Class I, II, III Div. 1, Groups A–G

KEMA: #Ex-95.C.3442 EEx ia IIC T6
ETL: #558044 Tested per FM and CSA as shown above

FRONT VIEW OF PHOTOCELL

SIDE VIEW OF PHOTOCELL

REFLECTIVE DISC

