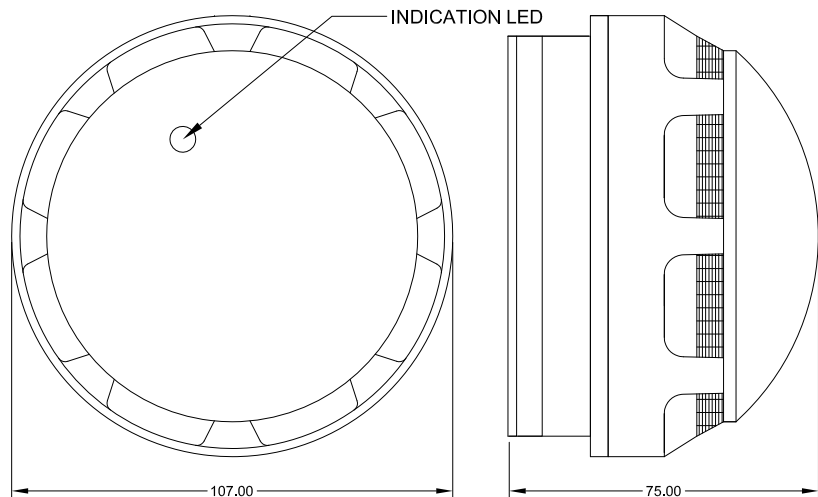


SMOKE/HEAT DETECTOR DIMENSIONS

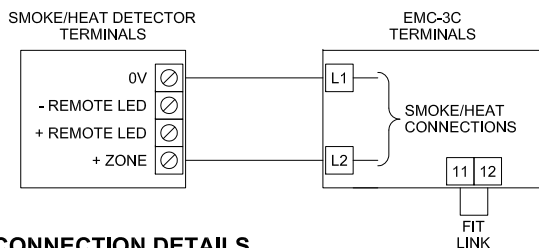


The mode of operation of this unit must be set using the programming dipswitches, located on the base of the detector head. To select a mode of operation for the combined smoke/heat detector see the logic table below.

Fire detector and sounder settings - Logic Table

MODE	PERFORMANCE CRITERIA	DIP SWITCH SETTINGS							
		1*	2*	3*	4*	5*	6*	7*	8*
EOL Signal	Disabled (no end of line signal)	OFF							
	Enabled	ON							
Detection Mode	Disabled (no detection)			OFF	OFF	OFF			
	Smoke 1 - Standard optical with high thermal enhancement			ON	OFF	OFF			
	Smoke 2 - Standard optical with normal thermal enhancement			OFF	ON	OFF			
	Smoke 3 - Low sensitivity optical with transient rejection			ON	ON	OFF			
	Heat 1 - Rate of Rise 58°C, general use in normal stable environments			ON	OFF	ON			
	Heat 2 - Low fixed 58°C, domestic kitchens etc			OFF	ON	ON			
	Heat 3 - Hi-fixed 90°C, commercial kitchens, boiler rooms			ON	ON	ON			
	Smoke 2 / Heat 2 combined			OFF	OFF	ON			
Sound Pattern	Disabled (no sound)						OFF	OFF	
	Sound 1 (continuous tone at 970 Hz)						ON	OFF	
	Sound 2 (alternating tone at 800/970 Hz)						OFF	ON	
	Sound 3 (sweep up tone at 800 to 970 Hz)						ON	ON	
Sounder Vol	Low								OFF
	High								ON

CONNECTION DIAGRAM



CONNECTION DETAILS

1. Connect 'ZONE+' from Smoke/Heat Detector to 'L1' on the EMC-3C. Connect '0V' from Smoke/Heat Detector to 'L2' on the EMC-3C

Note:- Ensure a wire link is fitted between EMC-3C terminals '11' & '12' for volt-free fire signal.

POWER UP

The Multipoint detector requires approximately one minute on power up to boot up its processor and settle down to normal operation. Do not test the detector during this time. Ensure that the Detector head is installed when the system is powered up otherwise a fault condition will be present.

HEAD CONTAMINATION WARNINGS

If a smoke detector becomes dusty, its operation is affected, either making it more prone to false alarms, or in rare cases reducing its sensitivity.

Heat 1 = 58°C Rate of Rise

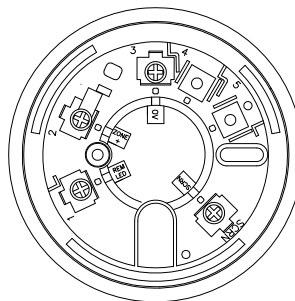
Heat 2 = 58°C Fixed

Heat 3 = 90°C Fixed

* Sounds 2 & 3 can alternatively be provided with an "Alternating Tone" (800-970Hz) or "Sweep Up Tone" (800-970Hz) respectively.

Normal Operation	LED flashes every 20 seconds
Alarm	LED is continuously illuminated until reset

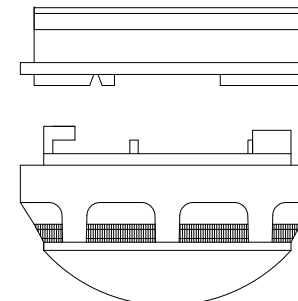
SMOKE/HEAT DETECTOR INTERNAL DETAILS



TESTING

It is recommended the use of suitable smoke test equipment such as no climb solo 300 tester or equivalent

REPLACING THE DETECTOR HEAD



Twist clockwise to lock and twist anti-clockwise to unlock

T: +44 (0)1928 579050
F: +44 (0)1928 579259
www.linkcontrols.co.uk
sales@linkcontrols.co.uk

Link Controls
Marantec

Stuart Rd, Manor Park, Runcorn, Cheshire, WA7 1TS

Title:-

COMBINED SMOKE/HEAT DETECTOR (STOCK CODE: 36-1005)
INSTALLATION INSTRUCTIONS

Drawing No:- LC-2212	Page No:- 1 of 1
Revision No:- B	Rev Date:- 05/03/15
Drawn By:- C.J.W.	Date:- 03/07/01
Checked By:- J.C.	Appr' By:- R.A.H.