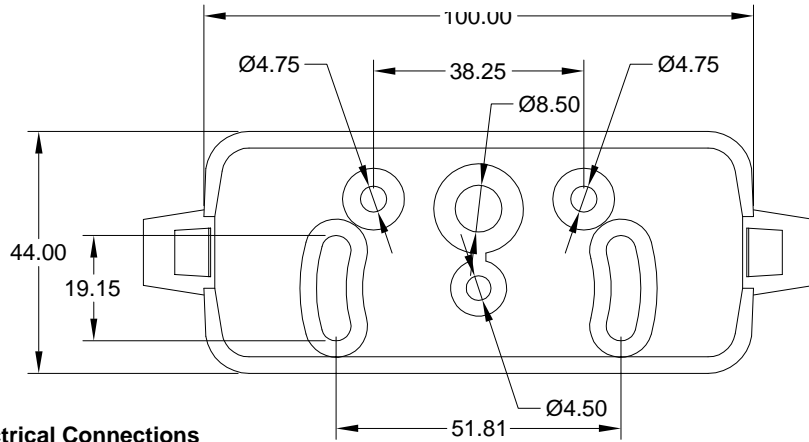
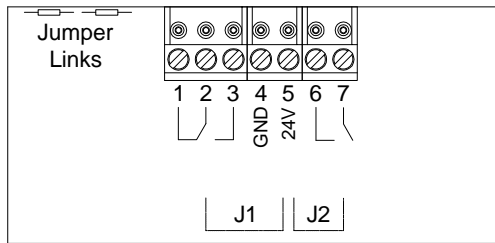


## Mounting of Retaining Bracket



## Electrical Connections



- Terminal 1 - Output relay 1 normally closed
- Terminal 2 - Output relay 1 common
- Terminal 3 - Output relay 1 normally open
- Terminal 4 - Supply 0v
- Terminal 5 - 24v DC Supply
- Terminal 6 - Output relay 2 output normally open
- Terminal 7 - Output relay 2 common

The common of the relays (terminal 2 and 7) are connected by the jumpers J1 and J2.  
In order to disconnect the common 24v connection, you have to cut the 0 Ohm resistors on the rear side of the PCB.

## Programming Instructions

- Press the left and right buttons together briefly to enter programming mode.
- Press the left button to select channel 1.
- Press the right button until the letter 'P' appears in the display.
- Press the left button to display the setting.
- Press the left button the scroll through the profile numbers until the require profile is displayed (see above table).
- Press and hold left button to until flashing dot disappears.
- Press the left button briefly to get the letter 'P' to appear.
- Press and hold the left button until the unit exits programming mode.

Profile No.	1		2		3		4		5		6		7		8		9			
Channel	I	II	I	II	I	II	I	II	I	II	I	II	I	II	I	II	I	II		
Description	Sensitivity	9		9		9		9		9		9		9		9		9		
	Direction	app.		app.		app.		app.		app.		app.		app.		app.		app.		
	Human detection	-		-		-		=2	-	-		-		=2	-	-		-		
	Vehicle detection	-		-		-		-	=2	-		-		-	=2	-		-		
	Cross traffic suppression	-		-		-		-		-	=2	-		-		-	=2	-		
	Slow object tracking	-		-		-		-		-	-	=2	-		-		-	=2	-	
	Activation delay	-		-		-		-		-		-		-		-		-		
	Dropout delay	400ms		400ms		400ms		400ms		400ms		400ms		400ms		400ms		400ms		
Relay 2	Assignment (Logic)	X		X		X		X		X		X		X		X		X		
	OP/NP	OP		OP		OP		OP		OP		OP		OP		NP		OP		
Relay 1	Assignment (Logic)		X			X		X		X		X		X		X		X		
	OP/NP	OP		OP		OP		OP		OP		OP		OP		NP		OP		
Comment	Factory setting other parameters such as e.g. the device address (=1) are also reset.		Channel 2 Switched Off		Corresponds to factory setting however without resetting additional parameters such as device address.		Channel 1: Only Persons (Medium) Channel 2: Only Vehicles (medium)		Channel 1: All Channel 2: without cross traffic (medium)		Channel 1: All Channel 2: With tracking slow objects (medium)		As for profile No. 4 However NP		As for profile No. 5 However NP		As for profile No. 6 However NP			

OP = Open Circuit Current Principle. NP = No-Load Current Principle. App. = Approaching Movement.

## Relay Operation



Fig.1  
Relay 1  
Active.

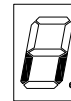


Fig.2  
Relay 2  
Active.

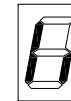


Fig.3  
Relays 1 & 2  
Active.