

Operation

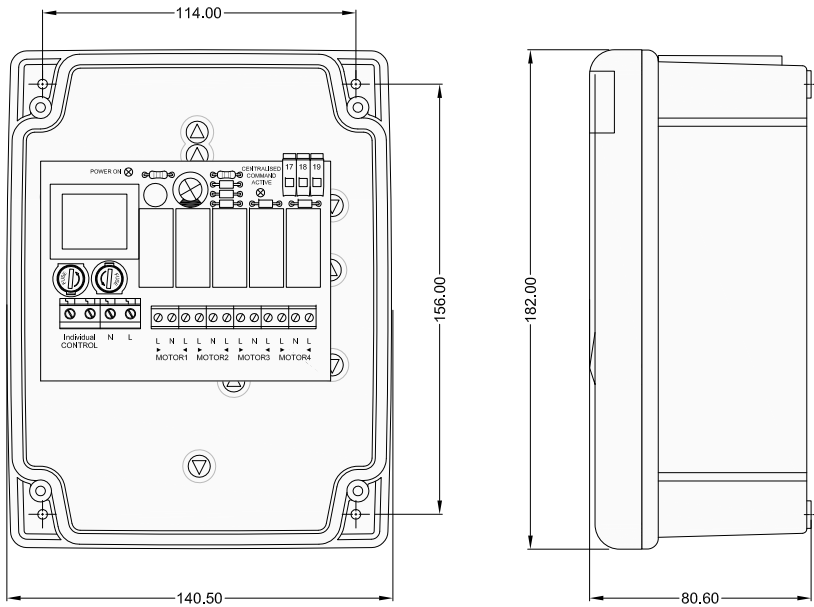
Master Keyswitch: Enables all the tube motors to be operated simultaneously.

Individual Keyswitches: Enables individual operation of tube motors via their corresponding keyswitch.

Installation Instructions

Mount the control panel and unscrew the lid, use the electrical instructions to wire the tube motor to the 4 way group controller, select from group or individual tube motor control.

Panel Layout

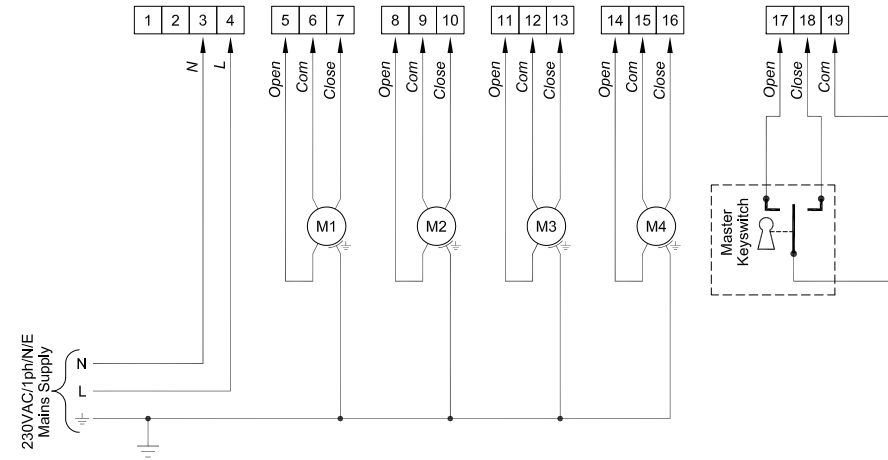


Overall Dimensions: 140.50×182.00×80.60mm

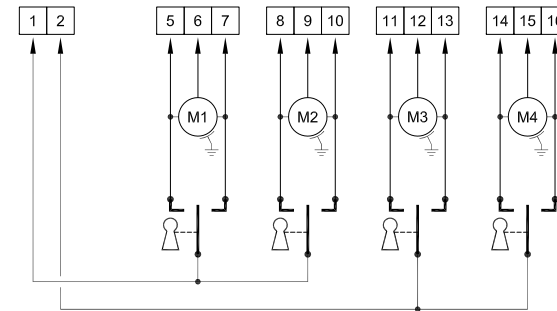
Mounting Hole Dimensions : 114.00×156.00mm

WARNING! Read these instructions **FULLY** before use. Installation should only be carried out by a **COMPETENT** installer.

Wiring for Group Tube Motor Control...



Wiring for Individual Tube Motor Control...



Note:- Connect ALL tube motor earth wires together and wire to ground.

WARNING! Activate only ONE Motor at a time.

1. Power Supply: Connect a 230VAC power supply, as shown.

2. Master Keyswitch: Connect as shown.

Note:- The maximum total motor load for the Group Control is 6.3A.

3. Connect the tube motors and individual keyswitches as shown.

Note:- If a tube motor operates in the wrong direction, swap the appropriate Black & Brown wires.

Note:- The maximum current for each output is 4A.

T: +44 (0)1928 579050

F: +44 (0)1928 579259

www.linkcontrols.co.uk

sales@linkcontrols.co.uk

Link Controls

Marantec

Title:-

2-WAY, 3-WAY, & 4-WAY MULTI-TUBE MOTOR GROUP CONTROLLERS
(STOCK CODE: AE0449)

Stuart Rd, Manor Park, Runcorn, Cheshire, WA7 1TS

Drawing No:- LC-0614

Page No:- 1 of 1

Revision No:- H

Rev Date:- 07/09/17

Drawn By:- C.J.W.

Date:- 31/07/96

Checked By:- M.H.

Appr' By:- S.L.