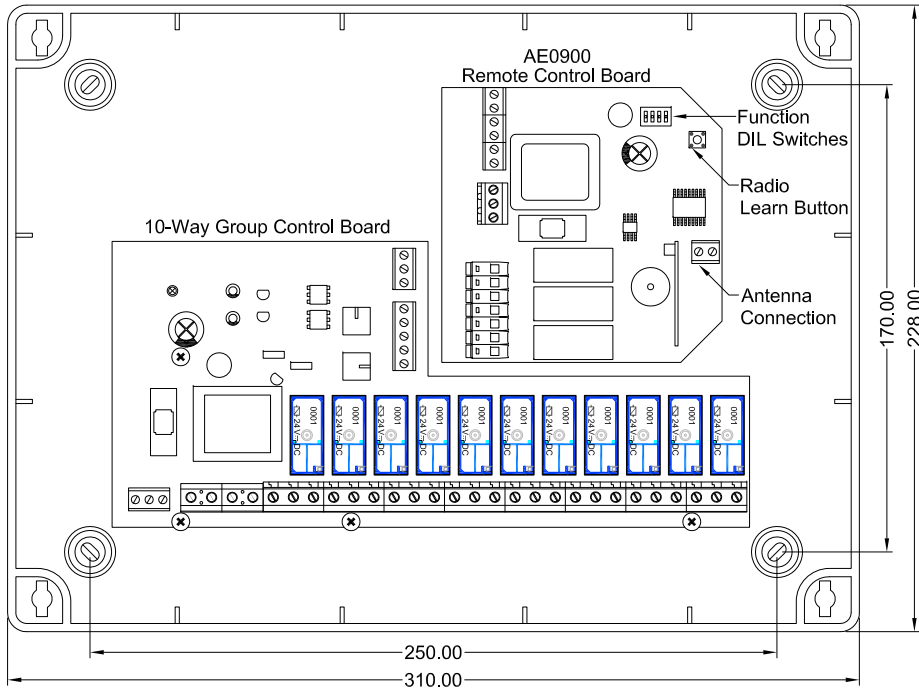


## Installation Instructions

- For wall mounting, Loosen the 4 screws securing the lid and tilt to allow access, taking care to not damage the hinges.
- Mark up the mounting hole centres at a suitable height & location, which is free from excessive vibration.  
**Note:-** 4-off M4 fixings @ 250 x 170mm
- Drill holes for M4 fixings plugs
- Caution!** In order to prevent P.C.B. damage, remove the main circuit board via the fixing screws.
- Use a flat-bladed screwdriver to knockout the four slots provided for enclosure fixing.
- Ensure that the control panel is free from debris (swarf, dust, etc.) before wall mounting.
- Replace P.C.B. & Refer to wiring instructions.

## Panel Layout



WxHxD: 310x228x126.5mm (with lid)

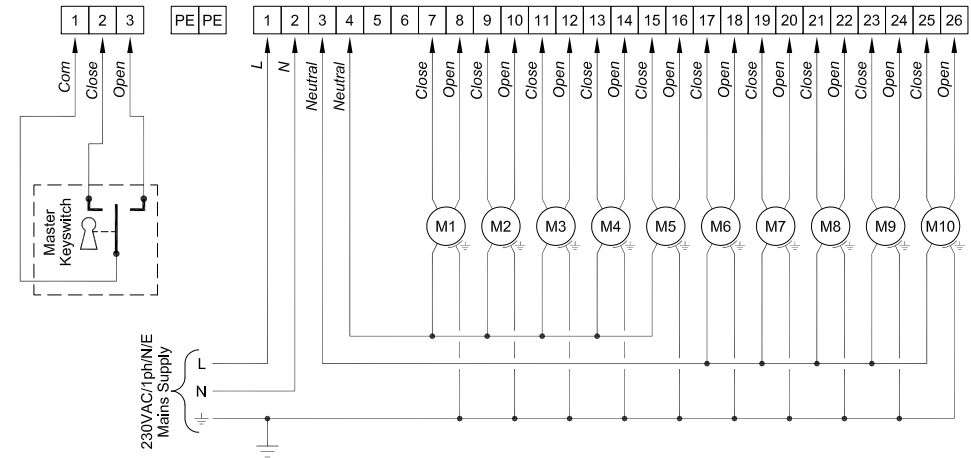
## Operation

Master Keyswitch: Enables all the tube motors to be operated simultaneously.

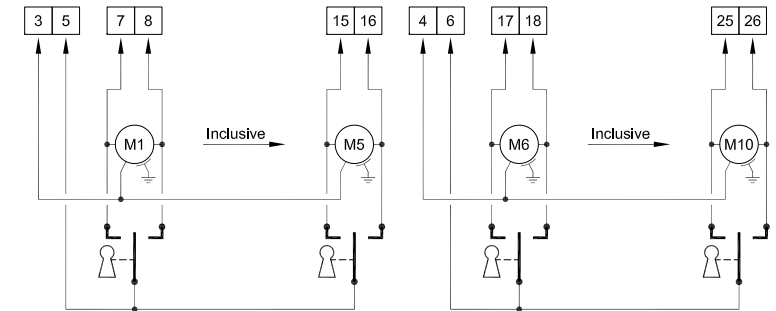
Individual Keyswitches: Enables individual operation of tube motors via their corresponding keyswitch.

**WARNING!** Read these instructions **FULLY** before use.  
Installation should only be carried out by a **COMPETENT** installer.

## Terminal Connections



## Wiring for Individual Tube Motor Control...



**Note:-** Connect ALL tube motor earth wires together and wire to ground (PE).

- Power Supply: Connect a 230VAC power supply, as shown.
- Master Keyswitch: Connect as shown.
- Connect the tube motors and individual keyswitches as shown.

**Note:-** If a tube motor operates in the wrong direction, swap the appropriate Black & Brown wires.

**Note:-** The maximum total load for the Group Control is 15A.

**Note:-** The maximum current for each output is 5A.

T: +44 (0)1928 579050  
F: +44 (0)1928 579259  
www.linkcontrols.co.uk  
sales@linkcontrols.co.uk

Link Controls  
Marantec

Title:-

GROUP 10 INSTALLATION & PROGRAMMING INSTRUCTIONS

Stuart Rd, Manor Park, Runcorn, Cheshire, WA7 1TS

Drawing No:- LC-0261	Page No:- 1 of 2
Revision No:- E	Rev Date:- 09/09/16
Drawn By:- C.J.W.	Date:- 24/02/95
Checked By:- R.A.H.	Appr' By:- S.L.

### Programming Instructions - AE0900 Tube Motor Remote Control Module

1. Press and release the learn button.
2. The receiver will 'beep' slowly to indicate Programming Mode.
3. Press and release all three handset buttons in sequence, a 'beep' will confirm each press i.e. press Open 'beep', Stop 'beep' and Close 'beep', all within 3 seconds of each other.  
**Note:- the first button pressed will always be the 'open' direction.**
4. The receiver will give 2 long 'beeps' and the handset is now learnt.
5. The receiver will give 2 short 'beeps' as the receiver exits Programming Mode.
6. Repeat the process above for additional handsets.

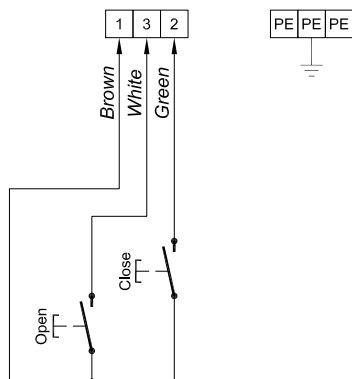
Pre-programmed handsets can be used to initiate the programming mode on the receiver as follows:

1. Using a paperclip press the hidden button on the handset through the small hole (Bottom right).
2. The receiver will 'beep' slowly to indicate Programming Mode.
3. Repeat steps 3-6 using the handsets that require programming.

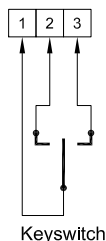
### Erasing All The Handsets

1. Remove the power from the Receiver.
2. Press and hold the learn button.
3. Re-apply the power whilst holding the learn button.
4. The receiver will 'beep' for 3 seconds.
5. When the 'beep' stops, release the learn button.
6. Memory is now erased.

### Pre-Wired AE0900 Connections



### Auxiliary Keyswitch Connections



### DIL Switch Functions

- |                          |   |                                                  |
|--------------------------|---|--------------------------------------------------|
| DIL1 - DEADMAN OPEN      | - | Open only whilst the handset is pressed.         |
| - IMPULSE OPEN           | - | Open automatically on one press of the handset.  |
| DIL2 - DEADMAN CLOSE*    | - | Close only whilst the handset is pressed.        |
| - IMPULSE CLOSE          | - | Close automatically on one press of the handset. |
| DIL3 - 3 min RUN TIMER   | - | Open or close for 3 minutes maximum.             |
| - INFINITE RUN TIMER     | - | Open or close until a stop command.              |
| DIL4 - OPEN FUNCTION     | - | One button to OPEN (and stop closing)            |
|                          | - | One button to CLOSE (and stop opening)           |
| - GO FUNCTION            | - | One button to GO (open-stop-close-stop sequence) |
| (2 button handsets only) | - | One button to STOP                               |

**\*Important!** The deadman close function must be selected when the safeguarding of the main closing edge cannot be guaranteed, for example on a shop doorway (EN 12453).

**Note:-** The 'GO FUNCTION' is only possible if DIL switches 1 & 2 are both set to IMPULSE. The 'OPEN' pushbutton input will also act as a 'GO FUNCTION' if this function is enabled. The 'CLOSE' pushbutton input will always act as a close.

### Technical Details

Supply voltage	230 VAC +10% - 15% 50-60Hz
Receiver frequency	433.92 MHz
Receiver type	SAW filter, narrow band
Receiver coding	Rolling code Birol®
Number of available codes	64 bit
Maximum number of stored transmitters	1000
Working temperature	-10...+55°C

**WARNING!** Read these instructions **FULLY** before use. Installation should only be carried out by a **COMPETENT** installer.

T: +44 (0)1928 579050  
F: +44 (0)1928 579259  
www.linkcontrols.co.uk  
sales@linkcontrols.co.uk

**Link Controls**  
**Marantec**

Stuart Rd, Manor Park, Runcorn, Cheshire, WA7 1TS

Title:-

GROUP 10 INSTALLATION & PROGRAMMING INSTRUCTIONS

Drawing No:- LC-0261	Page No:- 2 of 2
Revision No:- E	Rev Date:- 09/09/16
Drawn By:- C.J.W.	Date:- 24/02/95
Checked By:- R.A.H.	Appr' By:- S.L.