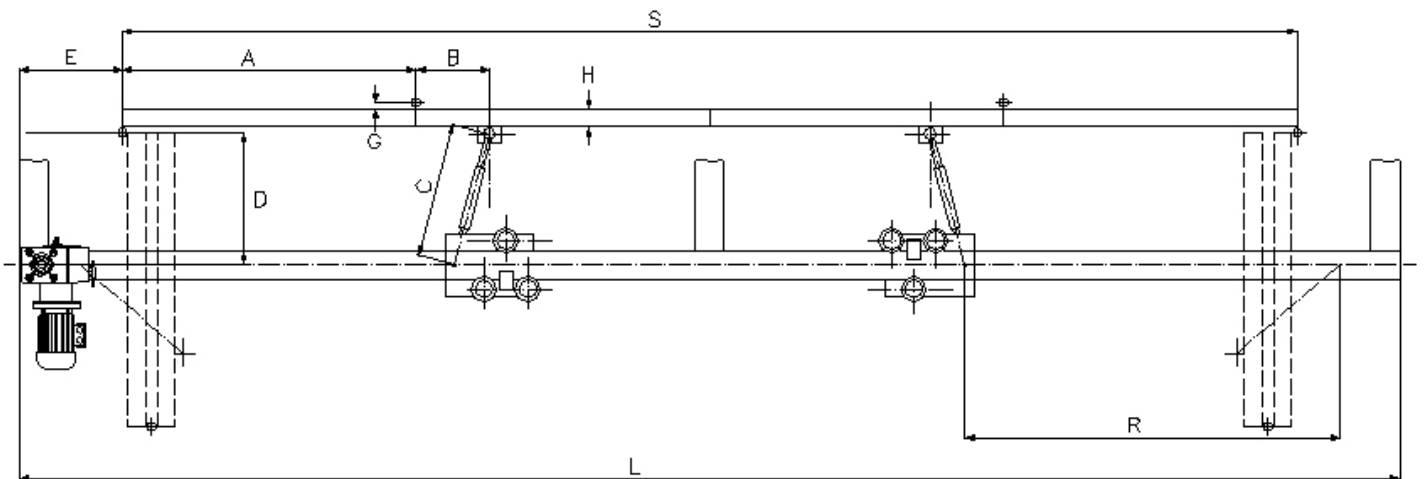


Fast Fold Bi-Folding Operator

Link Controls have a comprehensive range of operators for use on bi-fold doors. The Fastfold system comprises of an industrial duty hollowshaft operator mounted on a smooth running trolley system with controls and auxiliary equipment designed to suit your specific needs Providing full and safe operation



In order to provide a system that is tailored to your exact requirements we have included a guide to assist you in providing the exact measurements that are required when ordering the sliding / folding door track system.

These details must be carefully checked at the design stage and site survey to ensure there are no restrictions

A = mm

$K = A / 1000$

A	B	C	D	E	R	L	G	H	S
	K x 250	K x 460	K x 450	K x 150 + 200	K x 1280	S + 2 x E			

Please Contact Our Sales Department On 01928 579050 For Further Information