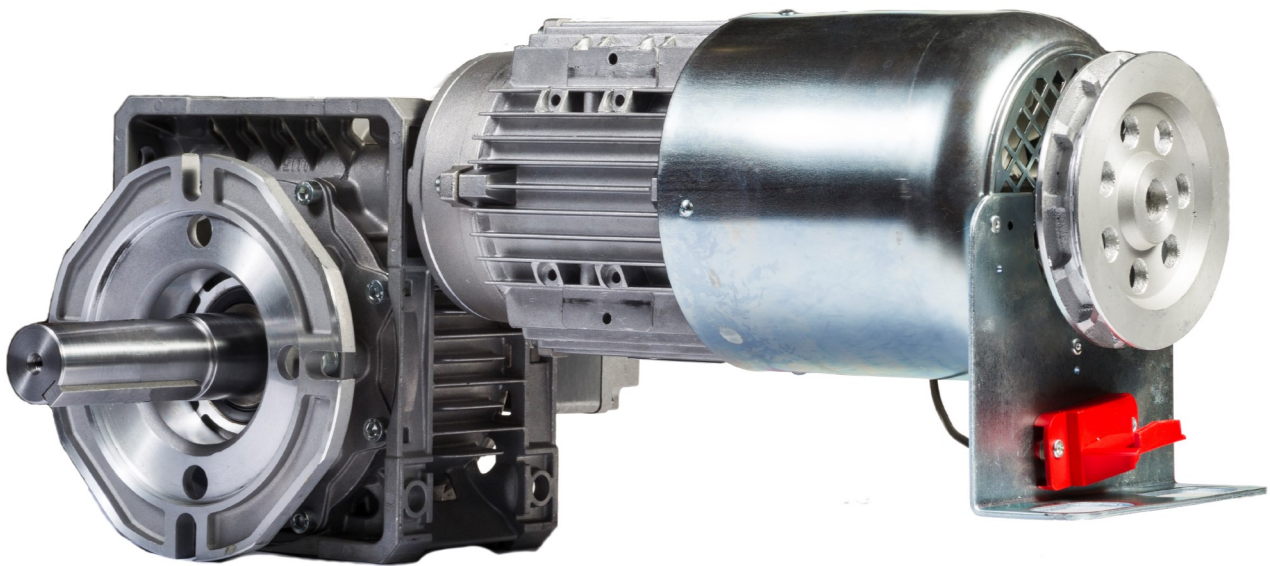


## **CDO-275**

### **Flangemount | Roller Shutter Operator**



#### **OPERATOR FEATURES**

- \* Safety interlock switch for manual operation.
- \* Integral thermal protection.
- \* 30mm dia. industry standard output shaft.
- \* IP54 environment protection.
- \* Gear driven limit switches.
- \* Phosphor bronze worm wheel.
- \* High starting torque industrial duty motor.
- \* Integral parking brake.
- \* Option for footmounting (without flange & with 50mm long output shaft).
- \* KE Floor level handchain override system available.

**Please Contact Our Sales Department On 01928 579050 For Further Information**

The CDO-275 Rolling Door Operator is available with a 1.5kw, 400v Three Phase Brake Motor. This model can be fitted with a Hand Crank (HCR), High Level Hand Chain (WGI) or Floor Level Hand Chain (KE) Chain System which enables the roller shutter door to be manually opened & closed when required.

Data	Type	CDO-275 c/w Hand Crank	CDO-275 c/w High Level Hand Chain	CDO-275 c/w KE Floor Level Hand Chain
Power (kW)			1.5	
Output Speed (R.P.M.)			24 / 45	
Torque (Nm)			410 / 245	
Environmental Protection			I.P.54	
Current (Amps)			4.1	
Power Supply			400v/3ph/50Hz	

### OPERATOR DIMENSIONS:- CDO-275 3ph c/w High Level Hand Chain

