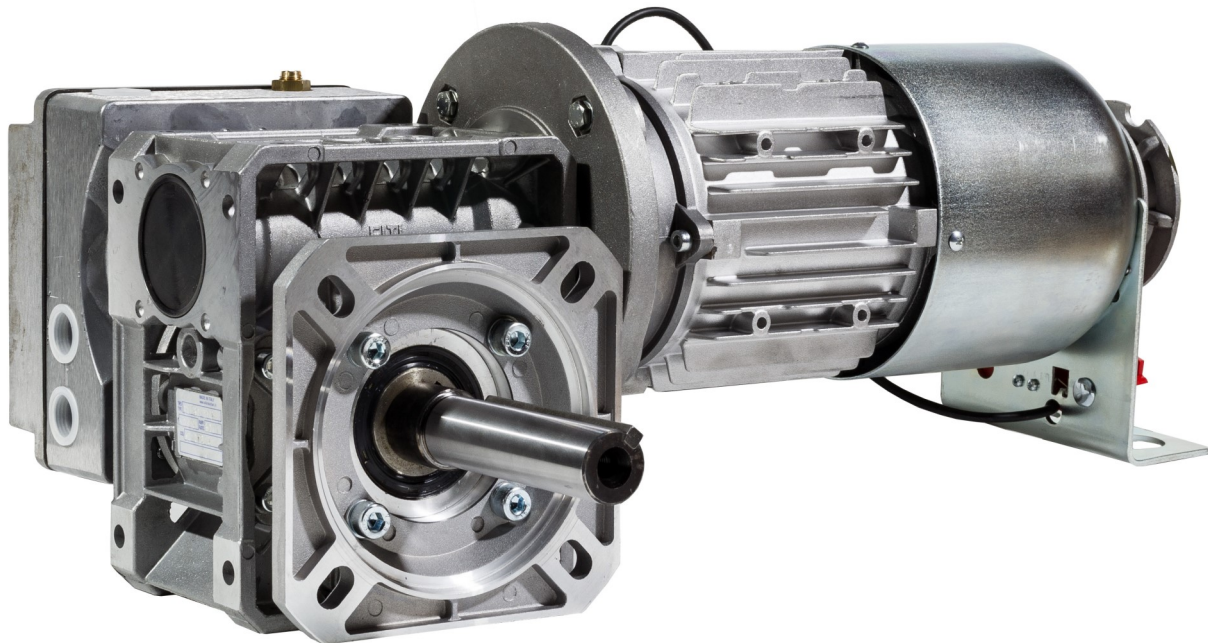


CDO-150

Flangemount | Roller Shutter Operator



OPERATOR FEATURES

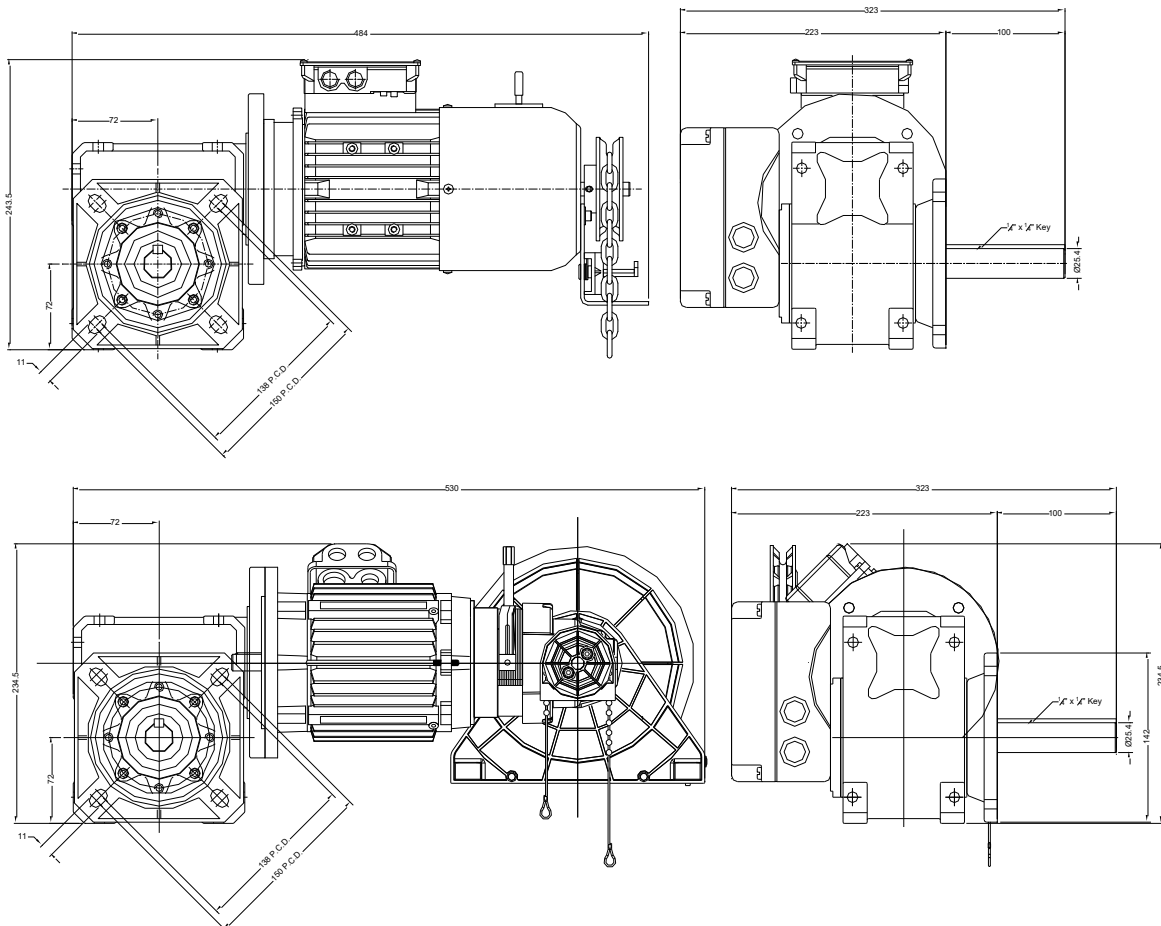
- * Safety interlock switch for manual operation.
- * Integral thermal protection.
- * 1" dia. industry standard output shaft.
- * IP54 environment protection.
- * Gear driven limit switches.
- * Phosphor bronze worm wheel.
- * High starting torque industrial duty motor.
- * Integral parking brake.
- * Option for footmounting (without flange & with 50mm long output shaft).
- * KE Floor level handchain override system available.

Please Contact Our Sales Department On 01928 579050 For Further Information

The CDO-150 Rolling Door Operator is available with a 1.1kw, 400v Three Phase Brake Motor. These models are fitted with either a Hand Crank (HCR), Floor Level Hand Chain (KE) System or High Level Hand Chain System (WGI) which enables the roller shutter door to be manually opened & closed when required.

Data	Type	CDO-150 3ph c/w Hand Crank		CDO-150 3ph c/w Floor Level Hand Chain		CDO-150 3ph c/w High Level Hand Chain	
Power (kW)		1.1					
Torque (Nm)		197	110	197	110	197	110
Number of Turns		40 (80 turn limits are available on request).					
Output Speed (R.P.M.)		24	45	24	45	24	45
Environmental Protection		I.P.54					
Current (Amps)		3.1					
Power Supply		400v/3ph/50Hz					

OPERATOR DIMENSIONS:- CDO-150 3ph c/w High Level Hand Chain & KE Overrides



Please Contact Our Sales Department On 01928 579050 For Further Information