

BILL.30M

Above Ground Swinging Gate Kits | Domestic Use

Automation for Above Ground Swinging Gates Up to 2.5m

personalised release key



Characterised by a neat design and reduced sizes, BILL.30M is quick and easy to install and it is suitable for environments with severe weather conditions (like dust or sand).

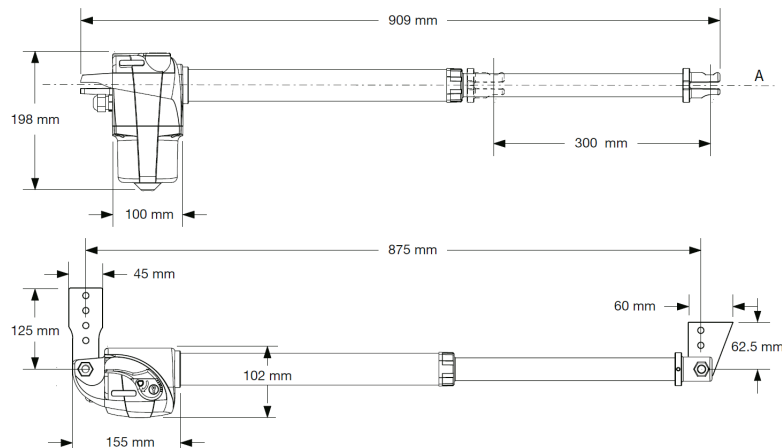
BILL.30M is available in 230Vac and in kit complete with all accessories

Product Features

- * Irreversible 230 Vac electro-mechanical geared motor with easy
- * access release from above
- * Neat design and size, particularly suited to forged iron gates
- * Easy and quick to install due to compact size and installation
- * dimensions
- * Worm protected by a scraper ring and stainless steel stem, suitable
- * for use in dusty and sandy environments or where there are
- * aggressive atmospheric agents.
- * Available in right or left version

DATA	BILL.30M
Power Supply	230VAC (50-60Hz)
Motor Supply	230VAC
Max Absorbed Current	1.1A
Max Thrust	2800N
Opening Speed	16Secs
Operation Cycle	30%
Standard Stroke	300mm
Max Stroke	320mm
Protection Level	IP54
Operating Temp.	-20°C/+50°C
Leaf Max Dimension	2.5m

Technical



Please Contact Our Sales Department On 01928 579050 For Further Information